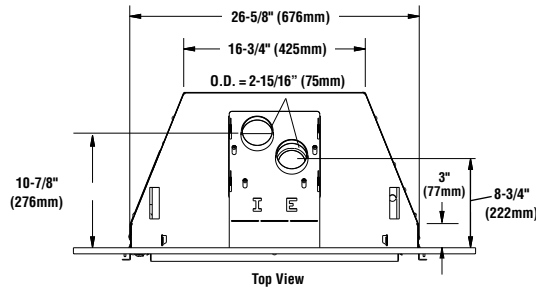


# Madison Park™ MPI27 / MPI27CD

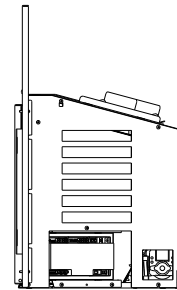
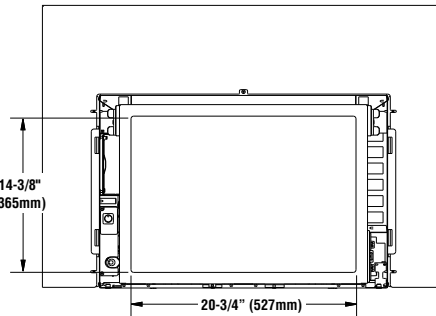
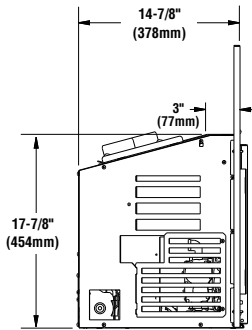
## Appliance Specifications

## DIRECT-VENT FIREPLACE INSERT



Input (BTU) - Electronic Models		
Fuel	MPI27	MPI27CD
	Input Rate (BTU / HR)	
Nat. Gas	Hi 30,000	Hi 30,000
	Lo 21,000	Lo 21,000
LP Gas	Hi 25,000	Hi 25,000
	Lo 20,000	Lo 20,000

Insert Dimensions



Left Side View

Front View

Right Side View

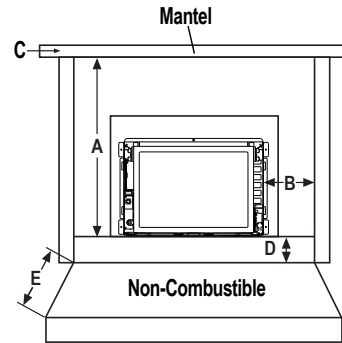
MINIMUM FIREPLACE SIZES REQUIRED	MPI27/MPI27CD
Front Opening **	27" (686mm)
Height	18" (457mm)
Rear Width	17" (432mm)
Depth	15" (381mm)

MINIMUM CLEARANCES TO COMBUSTIBLES	
A = Mantel	32" (813mm)
B = Side Wall	4" (102mm)
C = Mantel Depth *	10" (254mm)

HEARTH PROTECTION		
D = Vertical Distance from base of appliance	0" (0mm)	4" (102mm)
E = Minimum Horizontal Distance from Front of Appliance	10" (254mm)	0" (0mm)

- \* See owner's manual for additional mantel clearances and options.
- \*\* The front opening width of the fireplace must be maintained to a 3" depth into the fireplace firebox.

## MINIMUM CLEARANCES



**NOTE:** Hearth protection to be min. 1/2" (13mm) thick non-combustible or equivalent, with a k factor of .84.

Insert Clearances



Report #14-098

Efficiency		
	Natural Gas	Propane Gas
AFUE	MPI27 - 67% MPI27CD - 67%	MPI27 - 70% MPI27CD - 69%
EnerGuide P4	MPI27 - 68% MPI27CD - 66%	MPI27 - 71% MPI27CD - 68%

Listing Information

This appliance has been tested and certified to ANSI Z21.88/CSA 2.33 Standard for Vented Gas Fireplace Heater and CAN/CGA 2.17-M91 and UL 307B Gas Burning Heating Appliances for Manufactured (Mobile) Homes in both USA and Canada.

**NOTE:** Diagrams, illustrations and photographs are not to scale – consult installation instructions. Product designs, materials, dimensions, specifications, colors and prices are subject to change or discontinuance without notice.

# Madison Park™ MPI27 / MPI27CD

Product Reference Information			
Cat. No.	Description	Ship. Weight	Ship. Volume
H9122	MPI27, Madison Park™ Traditional 27, Small Insert	87.5 lb.	12.22 cu. ft.
H9123	MPI27CD, Madison Park™ Contemporary 27, Small Insert	80 lb.	12.22 cu. ft.

Vent Kits

## Simpson Dura Vent -

Flex Liner 3" X 35' - #3DFA-35

Adaptor w/ Flashing - #46DVA-GK

Termination Cap - #46DVA-VCH With #460 DVA-VWG

Termination Cap - #460DVA-VC

Co-Linear Kit w/ 3" X 35' Flex Liner (Intake and Exhaust), Adaptor, Flashing and Termination Cap - #46DVA-CL33

## Firebox Liner Kits - One Required

Champagne  
Merlot  
Black Porcelain  
Black Painted

## Facade Kits - One Required

Contemporary  
Santa Fe  
Artisan  
Full Front

## Surround Kits - One Required

3 Sided (37" W x 26" H, 44" W x 26" H, 37" W x 30" H, 41" W x 30" H)  
4 Sided - Trimmable (46" W x 38" H)

## Glass Media Kits for Contemporary Model MPI27CD only

Sky Blue Glass Media  
Midnight Black Glass Media  
Sunset Glass Media  
Cloud Glass Media

Options

Typical Installation

The existing fireplace chimneys may take various contours which the flexible liners will accommodate. However, keep the flexible liner STRAIGHT and avoid bending. When at maximum vertical height, standing pilot should be used for correct operation.

### Liner Requirements:

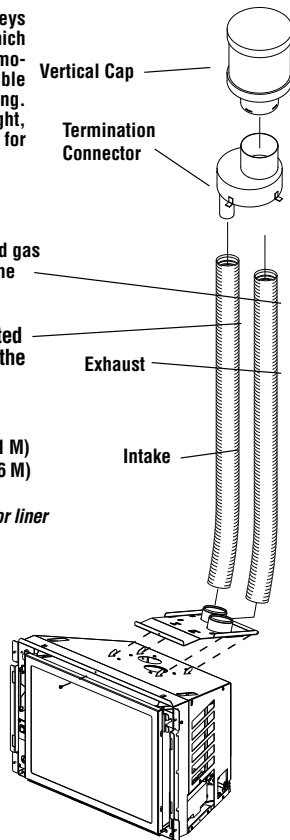
Use 3" (77 mm) diameter listed gas vent liner (UL1777 ONLY) for the EXHAUST

Use 3" (77 mm) diameter listed liner (UL 181 or UL1777) for the AIR INTAKE.

Vertical Height Min. = 10 ft. (3.1 M)  
Vertical height Max. = 25 ft. (7.6 M)

**NOTE:** Measured from base on unit to the end of the vent pipe or liner

The flexible vent pipe must NOT be allowed to sag behind insert or in fireplace flue.



Standard Features

- Standard full-featured remote.
- Electronic ignition with optional continuous pilot mode.
- Battery back-up in case of power outage
- Standard 150-CFM variable-speed blower delivers warm, consistent heat