



THE OUTDOOR
GREATROOM
COMPANY

The Cove Fire Pit

Installation Instructions for CV-2424



IMPORTANT

Please consult your Crystal Fire instruction manual for detailed instructions and important information related to hooking up your burner, including safety information, proper tightening of connections with two wrenches and full burner setup and lighting instructions.

DO NOT ATTEMPT TO INSTALL CF-2424 BURNER WITHOUT FIRST CONSULTING THE CRYSTAL FIRE OWNER'S MANUAL.

Contents

Required Tools.....	3
Included With Your Fire Pit.....	4
Assembly Instructions.....	5
Sparker Box Installation.....	5
Gas Connections.....	6
Electrode Installation.....	7
Propane Tank Installation.....	8
Install Fire Media.....	9
Operating Instructions.....	10

Required Tools

THREE people are required for this installation.



- 2 Open Ended Wrenches
To secure gas connections.



- Leather Gloves
To protect hands from rough edges found on fire pit during installation.



- One AAA Battery (not included)
Required for electric spark igniter installation.


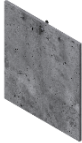




- Utility Knife
To cut and remove packaging.



- Power Drill
To remove support board from crate.

Included With Your Fire Pit

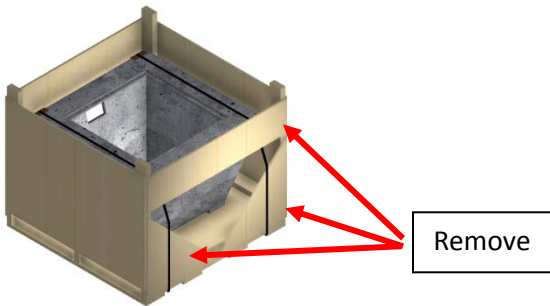
	<p>Cove 2424 Base with Key Valve Control Panel Installed</p> <p>(CV-2424-BASE) (KV-CP-BLK)</p>
	<p>Cove 2424 Door</p> <p>(CV-2424-DOOR)</p>
	<p>Black Key</p> <p>(BF-KY-05)</p>
	<p>24" x 24" Crystal Fire Burner Kit with black trim</p> <p>(CF-2424-BLK)</p>

Refer to Crystal Fire Manual for items included with crystal fire burners.

Assembly Instructions

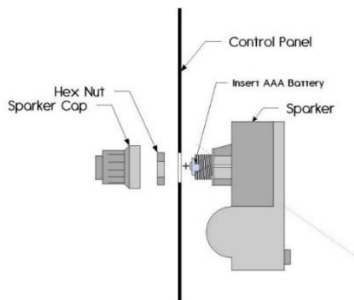
1. Remove Cove-2424-Base from Packaging crate

- Remove side panels from crate using a power drill with Philips head bit.
- Three People are required to lift base out of packaging and place into final location. CAUTION: Base is heavy, take all necessary precautions to prevent injury during installation.



2. Sparker Box Installation

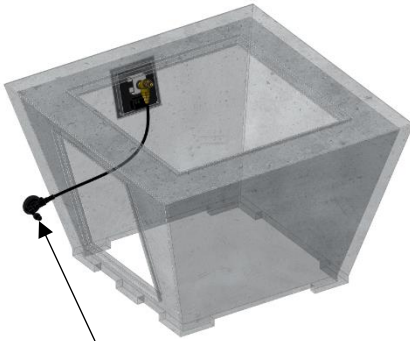
- Locate sparker inside of crystal fire burner box.
- Remove sparker cap and hex nut. Insert AAA battery (not included) with + end out.
- Install sparker into control panel as shown below, secure using hex nut and replace sparker cap.
- Depress sparker button to ensure your sparker is working properly. You should hear the spark behind the sparker box.



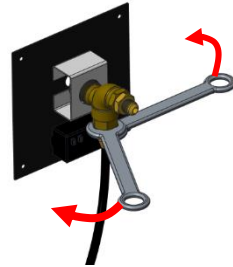
3. Gas Connections

Read and understand your Crystal Fire Burner Owner's manual before beginning burner hookups or using the device.
Do not use Teflon tape or pipe dope on flare fittings.

- Ensure key valve is in the OFF position before making any gas connections.
- For propane tank installations, install included propane hose and regulator to the control panel as shown below. **Use two wrenches to ensure a gas tight connection.**

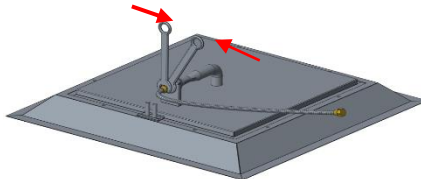


Propane regulator
Or gas supply line

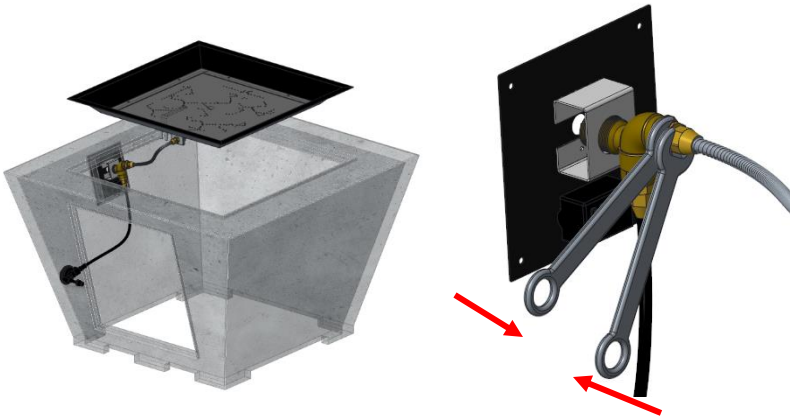


**TIGHTEN CONNECTION
SECURELY WITH WRENCH**

- For hard piped installations, connect the gas supply line (not included) to the 3/8" male flare fitting on the key valve. **Use two wrenches to ensure a gas tight connection.**
- Ensure the correct orifice is installed for the fuel type you are using (see Crystal Fire Burner Owner's Manual included with burner for orifice sizing information).
- Ensure flex line is securely tightened to the orifice. Use two wrenches as shown.

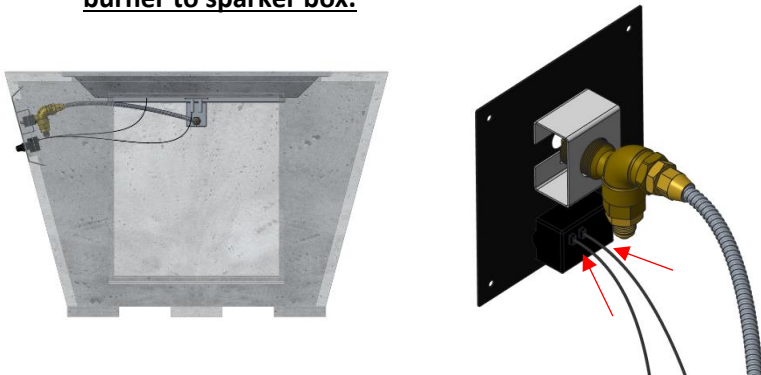


TIGHTEN ALL CONNECTIONS SECURELY WITH TWO WRENCHES

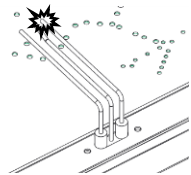


- Attach flex line from the burner to gas valve as shown. **Use two wrenches to secure connection.** Drop burner into place in base.

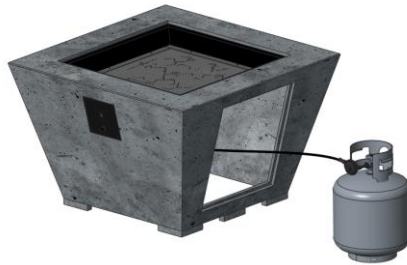
4. Connect Ground wire and Electrode wire from burner to sparker box.



- Plug both **BLACK** wires hanging from the burner into the back of the sparker box. If an orange wire is present, do not use it. The orange wire is for Direct Spark Ignition system only.
- Test system by pushing the button on the igniter. Consult the troubleshooting section of the Crystal Fire Burner Owner's Manual, if the spark is weak, intermittent, or not present.



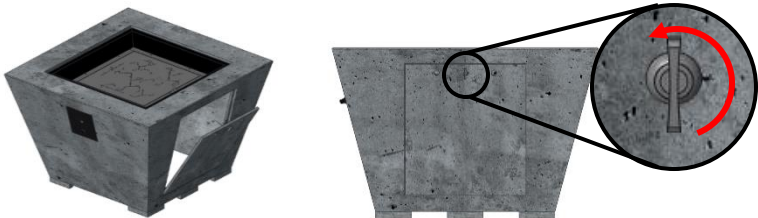
5. Propane Tank Installation



- With the propane tank valve and key valve off, attach the propane regulator to the propane tank. **Hand tighten, do not use a wrench for this connection.**



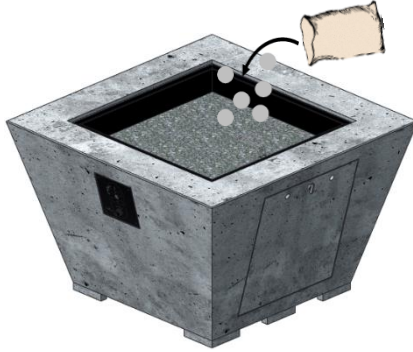
- Lift and tilt the propane tank through the access door into place underneath the base. Ensure that all hoses and wires are kept away from the hot burner surfaces. Use caution not to chip the edges of the concrete when installing the tank.



- Install the door by setting the bottom edge in place and tilting into place. Secure by turning the ¼ turn cam lock to lock the door in place.

6. Install Fire Media

- Scatter all included glass beads, lava rock, or other approved fire media evenly across entire burner surface.



DO NOT OPERATE CRYSTAL FIRE BURNER WITHOUT INCLUDED GLASS BEADS OR OTHER APPROVED FIRE MEDIA

DO NOT OPERATE CRYSTAL FIRE BURNER WITH BURNER COVER IN PLACE

IMPORTANT

Please consult your Crystal Fire instruction manual for detailed instructions and important information related to hooking up your burner, including safety information, proper tightening of connections with two wrenches and full burner setup and lighting instructions.

DO NOT ATTEMPT TO INSTALL CF-2424 BURNER WITHOUT FIRST CONSULTING THE CRYSTAL FIRE OWNER'S MANUAL.

WARNING

After consulting the manual and following instructions, remember; before operating, all gas connections must be fully checked for leaks

7. Operating Instructions

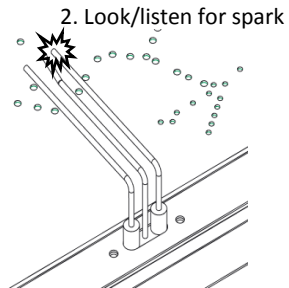
Before operating your Cove 2424 fire pit, ensure all gas connections are properly tightened and thoroughly leak checked. Refer to the Crystal Fire Manual for information on proper leak checking and other critical safety information.

- With the Key Valve in the OFF position, open the valve on the propane tank or natural gas supply.
- Double check to make sure there are no gas leaks at the regulator or inlet side of the key valve. If leak is detected, immediately shut off the propane tank and wait 5 minutes to allow gas to dissipate. Fix any leaks before proceeding.
- Press the sparker button and hold, look and listen for spark between electrode and grounding rod.
- While depressing the sparker, use the key to open the key valve.

3. Turn Key Valve to ON



1. Depress sparker



2. Look/listen for spark

- If burner does not light after 10 seconds, close the valve and wait 5 minutes to allow gas to dissipate before attempting ignition again.

Refer to the Crystal Fire Manual included with your burner for more detailed information on operation, maintenance, and safety of your burner.

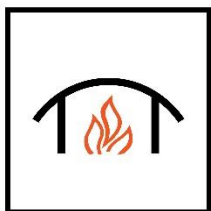


WARNING: This product can expose you to chemicals including Carbon Monoxide and Benzene which are known to the State of California to cause cancer or birth defects or reproductive harm. For more information, visit www.P65Warnings.ca.gov

Thank you for purchasing an
Outdoor GreatRoom Company
product! This fire pit was made with
pride in the USA.



Warranty: Fire pit tables are covered under a 1-
year manufacturer's warranty. Please visit
<http://www.outdoorrooms.com/warranty-form>
to register your product.



14400 Southcross Drive West • Suite 100 • Burnsville, MN 55306
Toll Free: 1-866-303-4028 • Sales@OutdoorRooms.com