

DIY Gas Fire Pits

Assembly and Installation instructions for Natural Gas DIY-38, DIY-2032, DIY-2049

Thank you for purchasing a Do-It-Yourself gas fire pit kit from The Outdoor GreatRoom Company. Please read through all instruction steps and warnings before assembling your fire pit.

NOTE: If using a 20lb propane tank, an LP kit is available for purchase on page 5 of this instruction booklet.

Included in your DIY kit

DIY-2032 (Rectangular)	DIY-2049 (Long Rectangular)	DIY-38 (Round)
<ul style="list-style-type: none"> • Burner • Electronic igniter • Metal flex hose • 4-piece DIY burner support • (8) Nut, bolt , lock washer • (2) Black #6 – 5/8” screws • #31 Orifice (NG) • #43 Orifice (LP) • Control panel with mounting bracket and optional filler. • Grounding wire • Sparker extension wire 	<ul style="list-style-type: none"> • Burner • Electronic igniter • Metal flex hose • 6-piece DIY burner support • (12) Nut, bolt , lock washer • (2) Black #6 – 5/8” screws • #21 Orifice (NG) • #31 Orifice (LP Over 100lb tank) • Control panel with mounting bracket and optional filler. • Grounding wire • Sparker extension wire 	<ul style="list-style-type: none"> • Burner • Electronic igniter • Metal flex hose • 4-piece DIY burner support • (8) Nut, bolt , lock washer • (2) Black #6 – 5/8” screws • #17 Orifice (NG) • #36 Orifice (LP over 100lb tank) • Control panel with mounting bracket and optional filler. • Grounding wire • Sparker extension wire

Recommended tools and supplies

- 2 adjustable wrenches for tightening gas connections
- 7/16” wrench for assembling burner support
- Power drill with Phillips bit
- AAA Battery for igniter (**not included**)
- Lava rock or other decorative media* (sold separately)
- Masonry block
- Outdoor-rated construction adhesive for securing block and control panel (if desired)
- Leveling device for placing block
- Concrete chisel
- ¼” concrete anchors (optional for attaching control panel bracket to block)
- Hammer drill (for drilling holes for concrete anchors)

*lava rock, **heat-tempered** glass, or other decorative fire-safe medium **MUST be used** to ensure proper burner operation. Do not burn without covering burner with lava rock or similar.

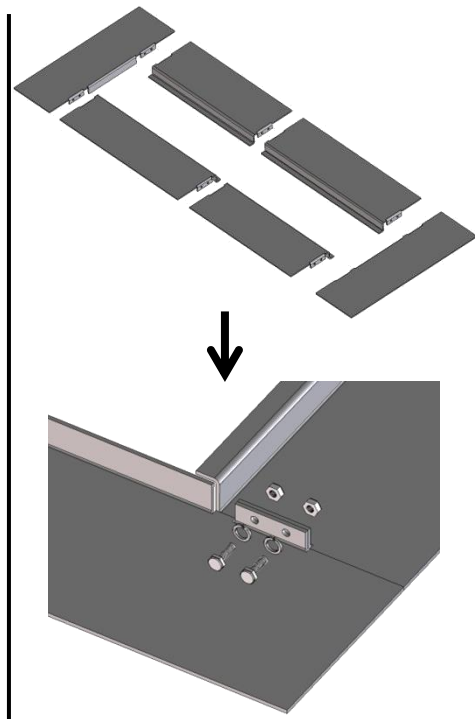
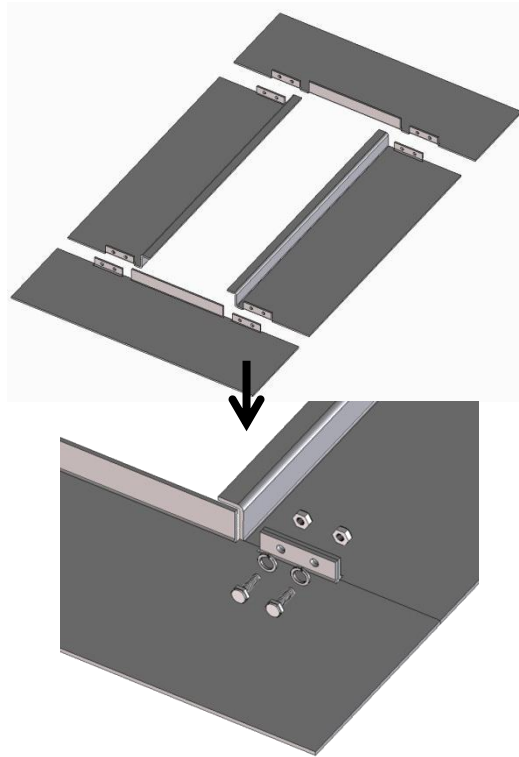
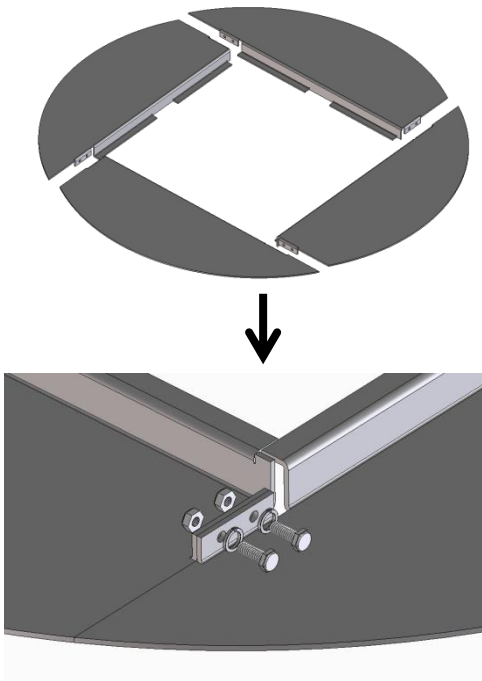
Consult your Crystal Fire Owner’s manual included in this kit for important safety and other information before operating this burner.

Step 1: Assembling the burner support

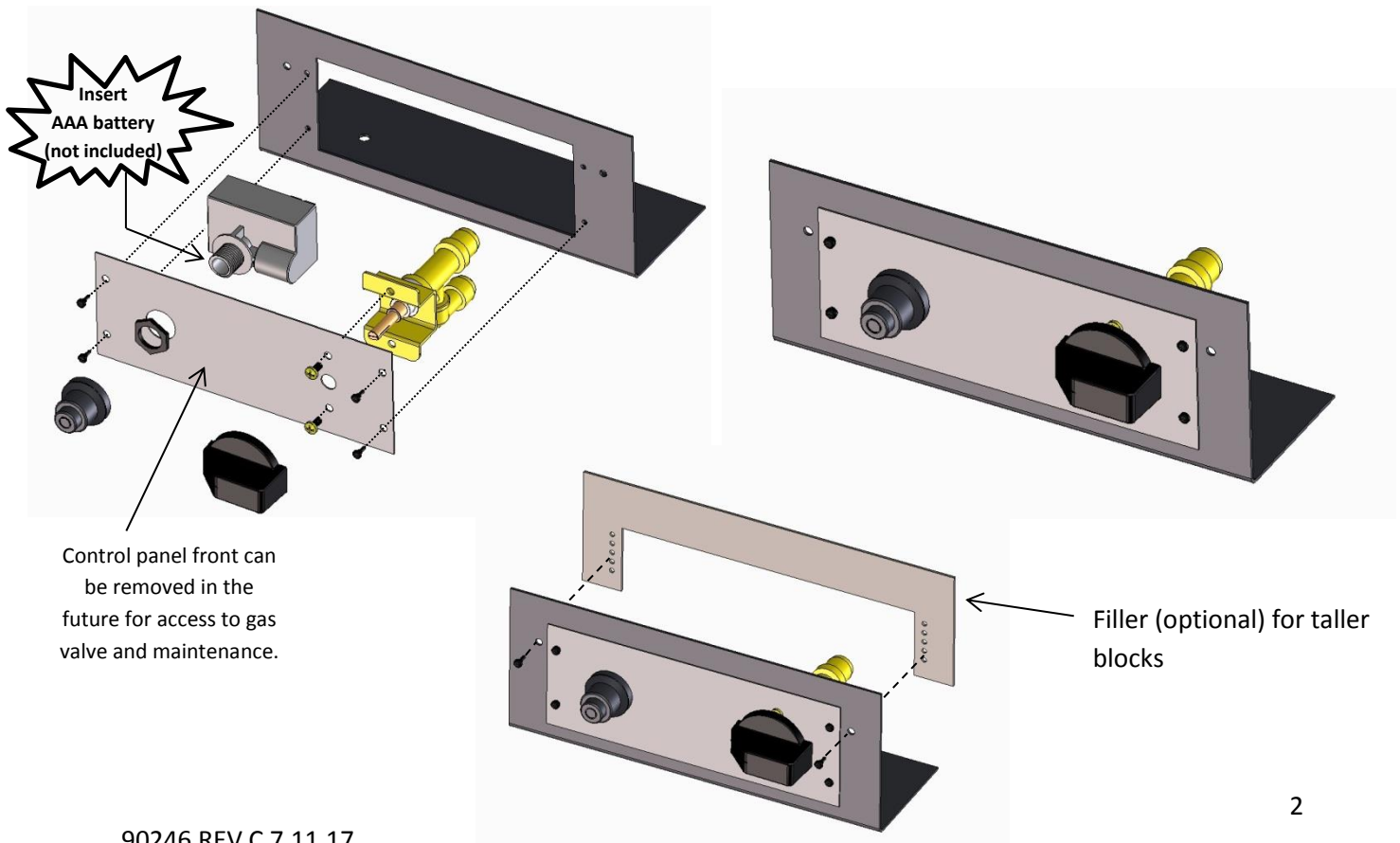
DIY-38

DIY-2032

DIY-2049

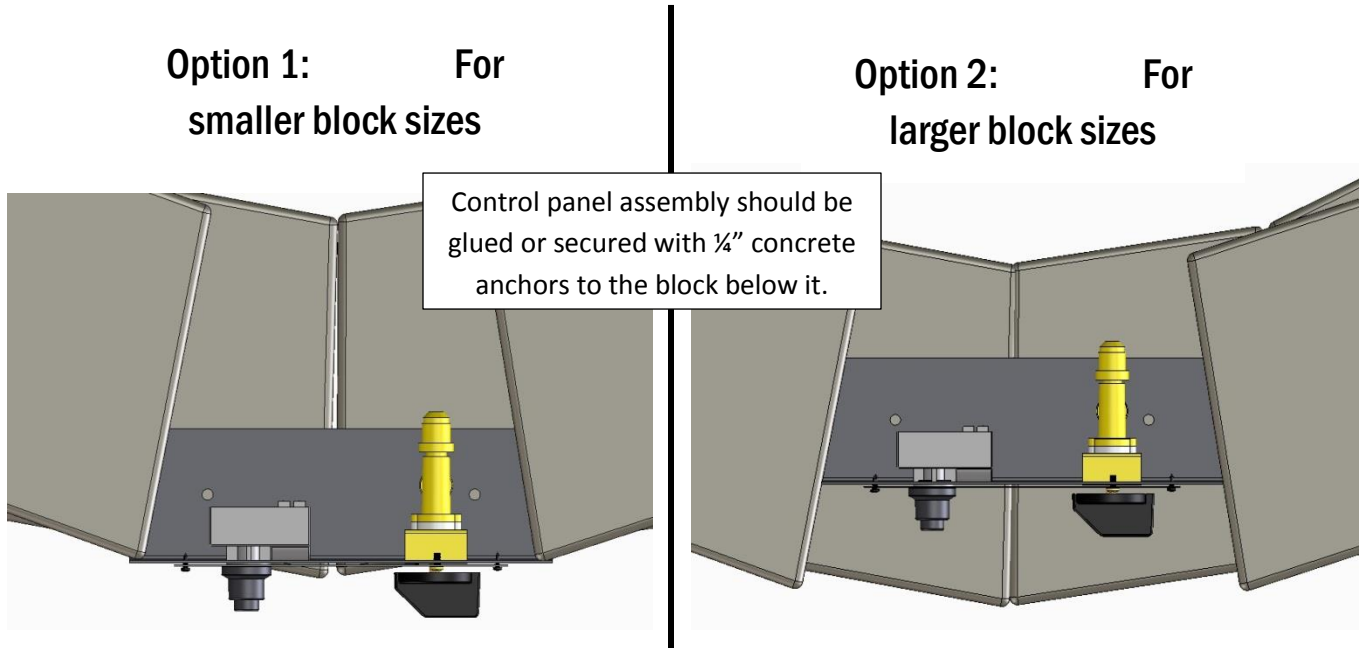


Step 2: Installing the Control Panel (suggested method for common cases)

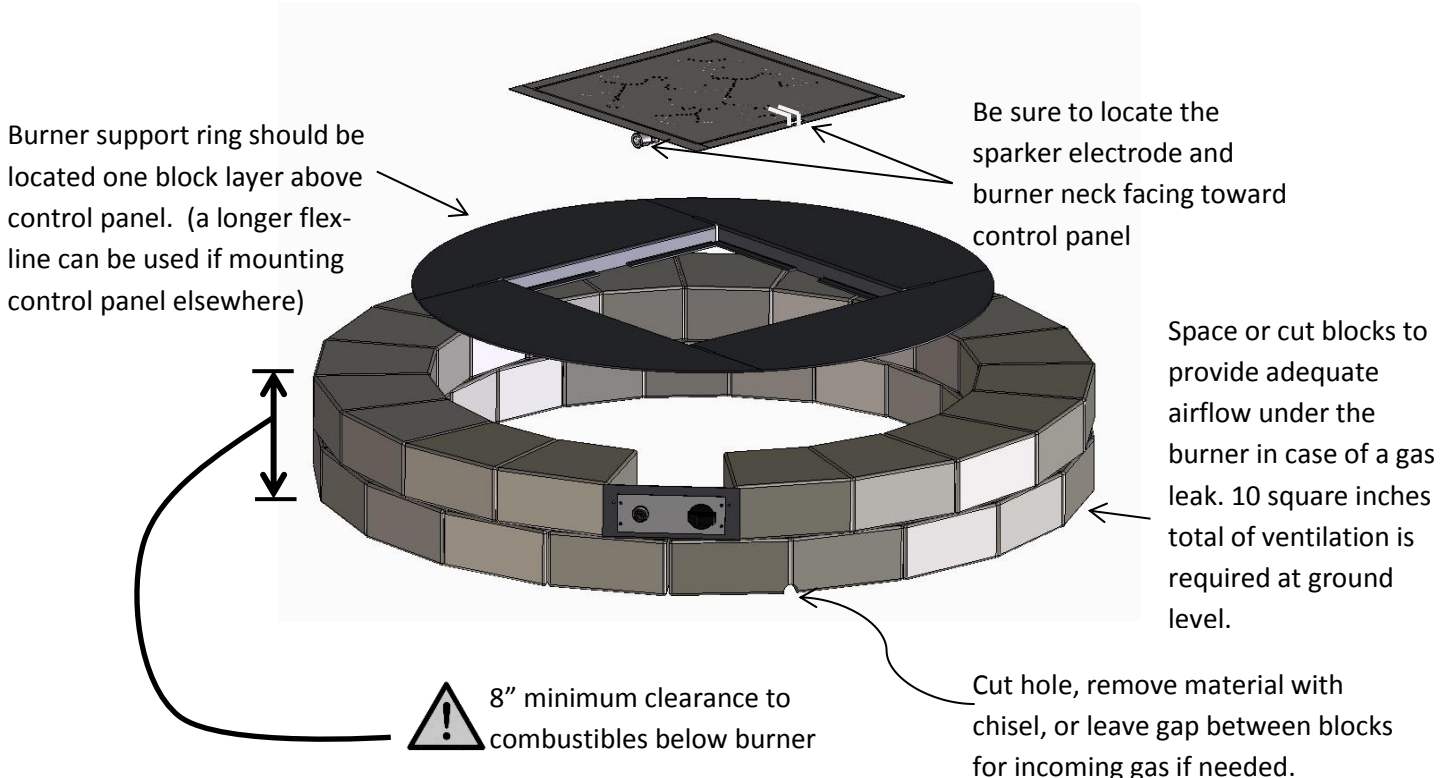


Step 3: Placing the control panel (suggested method for common cases)

While the control panel included in your kit is meant to work universally for most fire pit block sizes, for extreme cases, blocks may need to be cut to ensure a perfect fit. See below for installation methods.



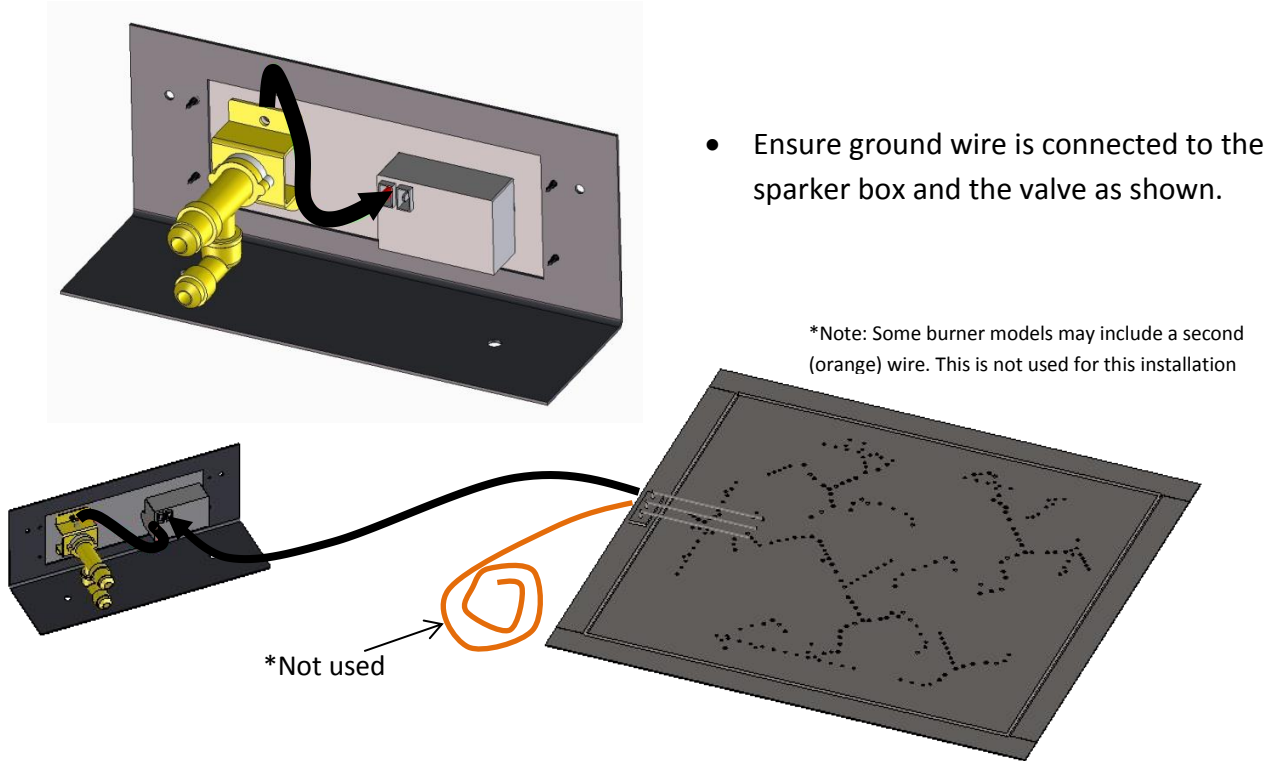
- For rectangular DIY fire pits, blocks should be cut to size for proper fit. Alternatively, mesh screen or other material can be cut and attached to control panel to act as filler around control panel.



Always follow local codes and block manufacturer suggestions for building a safe block fire pit.

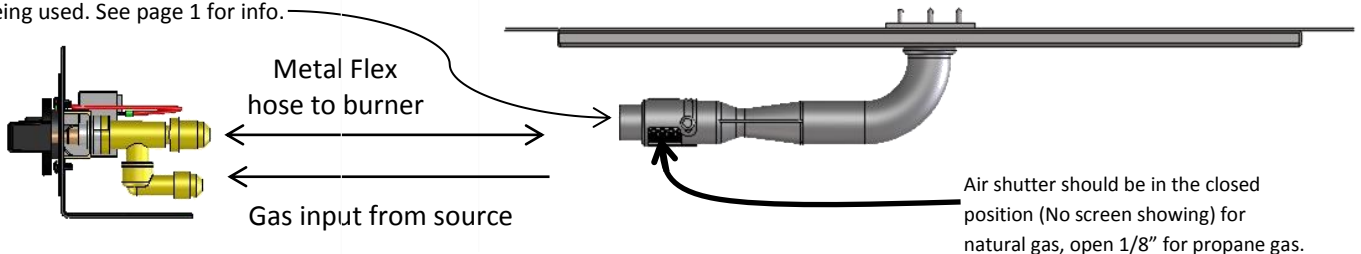
Step 4: Making Connections

Follow the steps below for making proper grounding, ignition, and gas line connections.



- Plug the **black** sparker wire into the igniter box. A sparker wire extender is included in your kit if the burner's wire does not reach your control panel location.

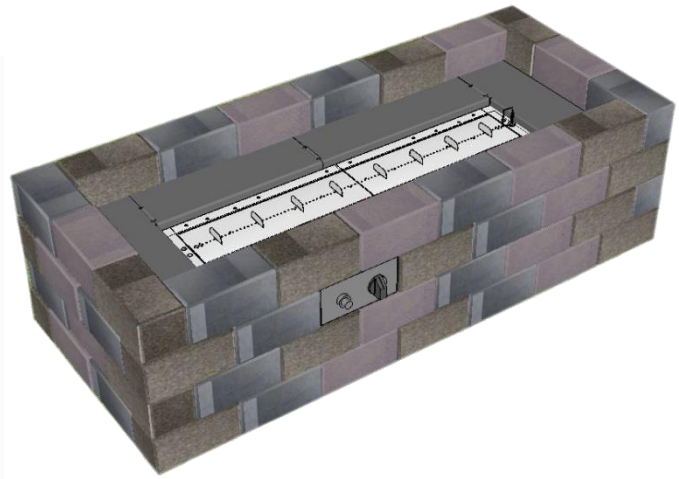
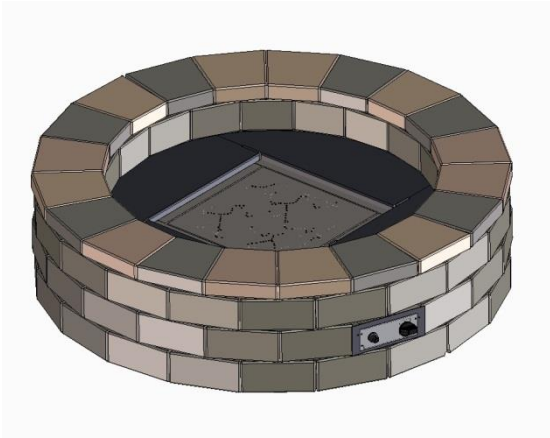
Screw large end of orifice into burner neck. Orifice size should match the gas type being used. See page 1 for info.



- When hooking up gas to burner, be sure to turn off gas flow at the source (by closing valve on propane tank or natural gas line) before making any connections. **⚠️ Tighten all gas connections securely using two wrenches ⚠️**

ENSURE THAT GAS LINES ARE NOT TOUCHING THE UNDERSIDE OF THE BURNER WHILE IN OPERATION. THIS SURFACE CAN GET VERY HOT. SECURE ALL GAS LINES AWAY FROM BURNER WHENEVER POSSIBLE.

CONSULT YOUR CRYSTAL FIRE OWNER'S MANUAL FOR MORE IMPORTANT SAFETY INFORMATION



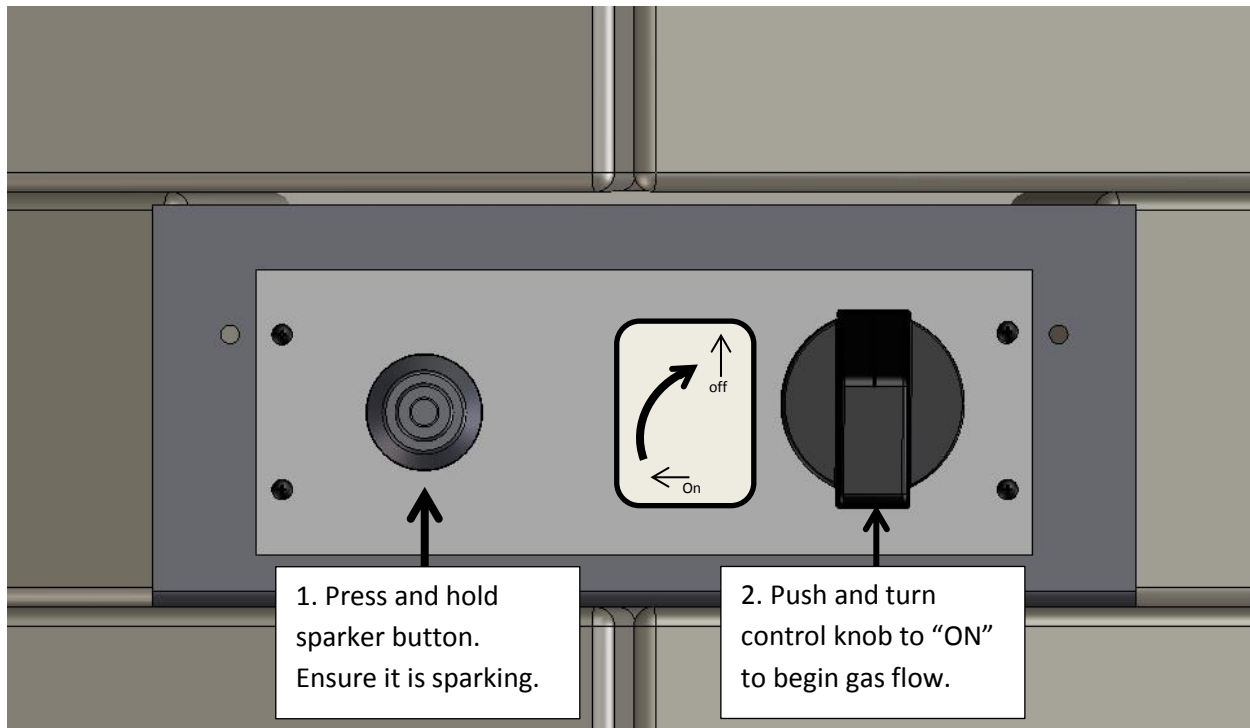
With gas hookups completed and burner installed, install remaining layers of block and secure with construction adhesive .

Scatter a layer of lava rock or other fire-safe material covering the burner and surrounding area to create a natural looking fire pit. Decorative gas log sets and high-temperature glass fire gems can also be purchased from The Outdoor GreatRoom Company at OutdoorRooms.com



Step 5: Operating the Fire Pit

Using your DIY fire pit is simple. Just follow these easy steps and you'll be enjoying your fire in no time!



To Extinguish: Simply push and turn gas valve to “OFF” position .

Gas should be turned off at the source when not in use or while performing maintenance.

Service and Optional Parts

Part Description	Part Number	Includes
20 lb propane conversion kit	DIY-LPK	#43 LP Orifice, 10ft Propane hose with regulator
Heat tempered glass fire gems	CFG-D	One 4lb bag of glass fire gems (8 bags recommended for DIY-2032, 13 bags for DIY-2049, 14 bags for DIY-38)
Black Lava rock	LAV-BK	.5 cubic foot bag of black natural lava rock (2 bags recommended)
Log set for DIY-38,-2032, -2049	CF20-Logs	Decorative log set for DIY-38 or DIY 2032. 2 Sets required for DIY-2049
Electronic igniter	CF-Sparker	One piezoelectric igniter
Electrode and grounding wire	CF-Electrode	Sparker electrode and grounding wire for DIY burners.



For more information about our products, visit us online at

<http://www.OutdoorRooms.com>

Or call us at: 1-866-303-4028



The Outdoor GreatRoom Company Outdoor Products Limited Warranty

The Outdoor GreatRoom Company extends the following warranty for Outdoor GreatRoom outdoor products used in the United States of America or Canada. Dealers and employees of The Outdoor GreatRoom Company have no authority to make any warranty or authorize any remedies in addition to or inconsistent with the terms of this warranty. This warranty gives you specific legal rights. You may also have other rights that vary from state to state.

The Outdoor GreatRoom Company warrants that this Outdoor GreatRoom Outdoor Product (the "Product") will be free from defects in material and workmanship for a period of one year from its date of purchase. Stainless steel parts and assemblies carry a limited lifetime warranty. This warranty is subject to the conditions, exclusions and limitations described below.

This warranty applies only to the original owner of the Product and is non-transferable. The Outdoor GreatRoom Company obligation under this warranty does not extend to damages resulting from (1) assembly, operation or maintenance of the Product not in accordance with the Installation/Assembly Instructions, Operating Instructions and the Listing Agency Identification Label furnished with the Product; (2) installation or use which does not comply with local building codes and ordinances; (3) shipping, improper handling, improper operation, abuse, misuse, accident or unworkmanlike repairs; (4) use of fuels other than those specified in the Operating Instructions; (5) Installation or use of components not supplied with the Product or any other components not expressly authorized and approved in writing by The Outdoor GreatRoom Company; and/or (6) modification of the Product not expressly authorized and approved in writing by The Outdoor GreatRoom Company. Any of the circumstances described in the previous sentence voids this warranty. This warranty is void if the Product or any component has been removed, repaired, or replaced before The Outdoor GreatRoom Company has been afforded a reasonable opportunity to inspect the Product.

This warranty is limited to the replacement or repair of defective components or workmanship and The Outdoor GreatRoom Company may fully discharge its obligations under this warranty by repairing or replacing, at its discretion, the defective components. The Outdoor GreatRoom Company will provide replacement parts at no charge and will pay reasonable and necessary labor and freight costs related to replacing or repairing defective components under this warranty. The maximum amount recoverable under this warranty is limited to the purchase price of the Product and, if The Outdoor GreatRoom Company is unable to provide replacement or repair in an expedient and cost-effective manner, The Outdoor GreatRoom Company may discharge all obligations under this warranty by refunding the purchase price of the Product.

EXCEPT TO THE EXTENT PROVIDED BY LAW, THE OUTDOOR GREATROOM COMPANY MAKES NO EXPRESS WARRANTIES OTHER THAN THE WARRANTY EXPRESSED HEREIN. THE DURATION OF ANY IMPLIED WARRANTY IS LIMITED TO THE DURATION OF THE WARRANTY SPECIFIED ABOVE. IN NO EVENT SHALL THE OUTDOOR GREATROOM COMPANY BE LIABLE FOR ANY INCIDENTAL OR CONSEQUENTIAL DAMAGES CAUSED BY DEFECTS IN THE PRODUCT. Some states do not allow limitations on how long an implied warranty lasts, or do not allow exclusion or limitation of incidental or consequential damages, so these limitations may not apply to you.

To obtain service under this warranty, you must:

1. Send written notice of the claimed condition to: The Outdoor GreatRoom Company, 14400 Southcross Drive West, Suite #100, Burnsville, MN 55306.
2. Affirm that you are the original owner of the Product.
3. Provide The Outdoor GreatRoom Company reasonable opportunity to investigate the claim, including reasonable opportunity to inspect the Product prior to any repair or replacement work and before the Product or any component of the Product has been removed.