

HEAT & GLO™



DESIGNED | to inspire

CERONA

Direct Vent Gas Fireplace



# CERONA

Arched elegance, robust heat  
and high efficiency.

Cerona takes serious heat output and stylishly wraps it in a classic arched fireplace. Plus it's incredibly efficient, the best of any Heat & Glo fireplace. High style, high heat and high efficiency. Available in 36" and 42" models.



Cover: Cerona shown with Cultured Stone dry stack ledgerstone, Chateau Deluxe front in Black and arch trim stone.

Above: Cerona shown with Valencia front in new bronze and custom mantel and stone.



**REFINED ELEGANCE**

Cerona is a whole hearth system, with a great selection of mantels, surrounds, fronts and finishes to suit any interior style. Our patented FireBrick material creates a true arched firebox, crafted with cantilevered corners to look just like a masonry hearth. Cerona shown with Apollo cast mantel and Galleria doors in Black.



**VARIABLE HEAT**

Don't need all the heat? Cerona is easily adjustable, and can be turned down by 30%. Optional heat management kits—Heat Zone® and Heat Duct—redirect any excess warm air to other areas of the home. Cerona shown with Cultured Stone dry stack ledgerstone, Chateau Deluxe front in Black and arch trim stone.

**CERONA FEATURES**

- Available in 36" and 42" models
- Multiple mantels, fronts, surrounds and finishes supply a range of looks from bold to elegant
- AFUE rated
- Cantilevered firebox design with handpainted FireBrick
- Multifunction wall control standard
- Fan comes standard
- Mystifire® burner
- Optional heat management kits—Heat-Zone® and Heat-Duct

**INTELLIFIRE™**

Our exclusive, state-of-the-art IntelliFire ignition system reduces gas consumption and thermogenerator wear by providing a pilot flame only when needed. It also supplies a back-up battery system to run the fireplace during a power outage.

**FIREBRICK®**

FireBrick technology provides the warmth and glow of a real wood burning fire. Our patented Firebrick technology uses heat and compression to seamlessly mold ceramic fiber material into uniquely shaped fireboxes with authentic brick patterns. FireBrick technology resists rust and corrosion on the interior of the firebox and eliminates noise associated with the heating and cooling of metal. FireBrick technology also generates, retains, and radiates significantly more heat into the room than a metal fireplace. All Heat & Glo products featuring FireBrick technology are AFUE\*rated, energy-efficient, and offer an airtight seal, for peace of mind and comfort.

**DECORATIVE FRONTS AND DOORS**

Customize Cerona with one of these fronts or doors, each available in Black, Graphite or New Bronze.



Chateau Front



Chateau Deluxe Front



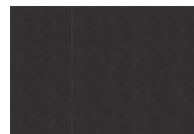
Valencia Front



Galleria Doors



Black



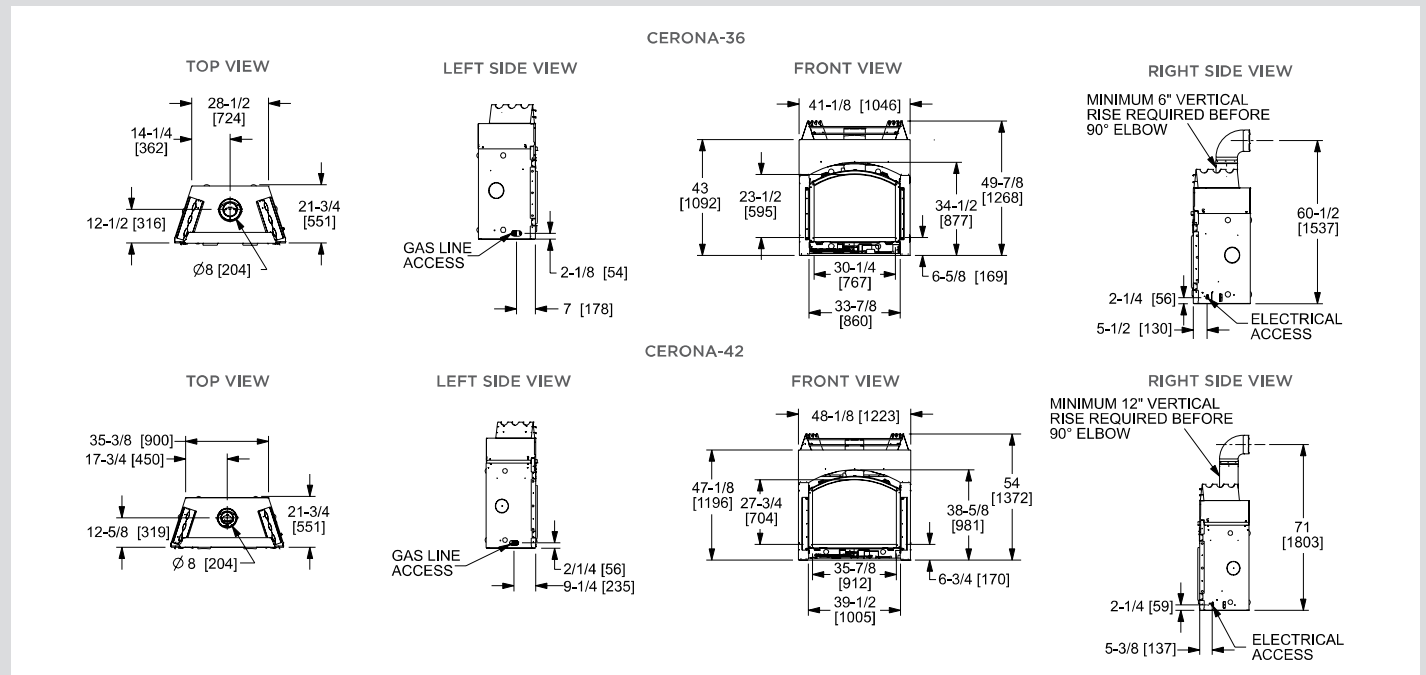
Graphite



New Bronze

# CERONA SPECIFICATIONS

MODEL	FRONT WIDTH		BACK WIDTH		HEIGHT		DEPTH		GLASS SIZE	BTU/HOUR INPUT
	UNIT	FRAMING	UNIT	FRAMING	UNIT	FRAMING	UNIT	FRAMING		
CERONA-36	41-1/8	42-1/8	28-1/2	42-1/8	49-7/8	50-1/2	21-3/4	22-1/4	30-1/4 X 23-1/2	25,000-37,500 (NG)
	14-1/4 [362]	28-1/2 [724]	12-1/2 [316]	21-3/4 [551]	Ø8 [204]					
CERONA-42	48-1/8	49-1/8	35-3/8	49-1/8	54	54-1/2	21-3/4	22-1/4	35-7/8 X 27-3/4	32,000-48,000 (NG)



Dimensions in diagrams are in inches and millimeters. Dimensions in table are in inches. Product information is not complete and is subject to change without notice. Product installation must adhere strictly to instructions shipped with product. We recommend measuring individual units at installation. Assumes the use of 1/2" sheetrock. NOTE: Combustible material should not cover the face. Make sure you do NOT cover the decorative door opening.

Refer to installation manual for detailed specifications on installing this product. Heat & Glo reserves the right to update units periodically. The flame and ember appearance may vary based on the type of fuel burned and the venting configuration used. Actual product appearance, including flame, may differ from product images.

## U.S. EFFICIENCIES

**Steady State** - Since most homeowners use their fireplaces for an extended time while they are in the room, Steady State measures how efficiently your fireplace converts fuel to heat once it is warmed up and running in a "steady state".

**AFUE** - AFUE rating is more typically used with appliances, like your furnace, that continually cycle on and off to maintain a constant temperature.

RATING	CERONA-36	CERONA-42
STEADY STATE	77.5% (NG), 77.5% (LP)	78.1% (NG), 78.1% (LP)
AFUE	61.4% (NG), 64.8% (LP)	60.7% (NG), 63.6% (LP)

## CANADA EFFICIENCIES

**EnerGuide (CSAP.4.1.-02)** - EnerGuide is a rating used in Canada to measure annual fireplace efficiency.

RATING	CERONA-36	CERONA-42
ENERGUIDE (CSAP.4.1.-02)	64.1% (NG), 65.6% (LP)	63.0% (NG), 64.1% (LP)

For complete information on this model, please contact us at:

**HEAT & GLO**

No one builds a better fire

A brand of Hearth & Home Technologies Inc.  
 7571 215th Street West, Lakeville, MN 55044  
 Web: heatnglo.com  
 Phone: (888) 427-3973 (952) 985-6000  
 E-mail: info@heatnglo.com

\*For full warranty details, go to [www.heatnglo.com](http://www.heatnglo.com).

## LIMITED LIFETIME WARRANTY\*

The strongest in the industry, Heat & Glo provides a limited lifetime warranty on the most important aspects: firebox and heat exchanger.



HNG-1065U-0910

