

HEAT & GLO™



DESIGNED | to inspire

CRESCENT II
Direct Vent Gas Fireplace

CRESCENT II

There's an opportunity for a fireplace around every corner.

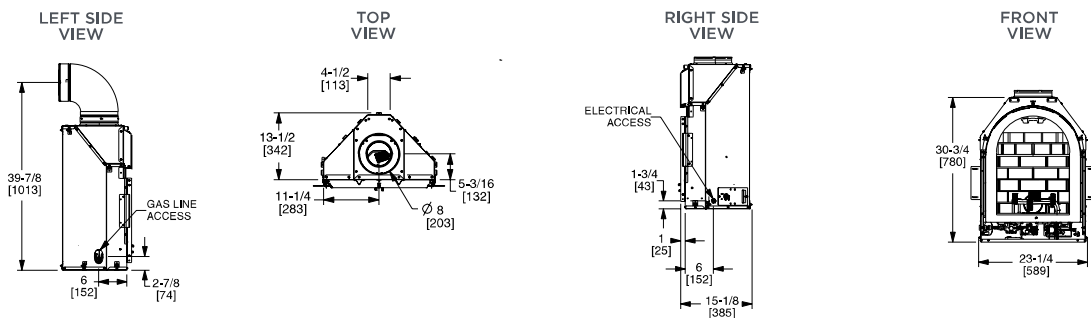
What used to be empty and underutilized can now be warm and inviting. Designed specifically to slip into corners and tight spots, Crescent II lets you add the graceful arch of a transforming fireplace to any room where space is an issue and coziness a must.

Cover: Crescent II shown with Bella cabinet and Reserve front in Bronze. Right: Crescent II shown with Bella cabinet and Essence front with Classic interchangeable panel in Pewter.



CRESCENT II SPECIFICATIONS

MODEL	FRONT WIDTH		BACK WIDTH		HEIGHT		DEPTH		VIEWING AREA	BTU/HOUR INPUT (NG)
	UNIT	FRAMING	UNIT	FRAMING	UNIT	FRAMING	UNIT	FRAMING		
CRESCENT II	23-1/4	24-1/2	4-1/2	24-1/2	30-3/4	37	15-1/8	15-5/8	15-1/2 x 21	11,500 (NG)



Dimensions above are in inches. Reference dimensions only. We recommend measuring individual units at installation. NOTE: Combustible material should not be installed over the face. Make sure you do NOT cover the decorative door opening.

Refer to installation manual for detailed specifications on installing this product. Heat & Glo reserves the right to update units periodically. The flame and ember appearance may vary based on the type of fuel burned and the venting configuration used. Pictures in this brochure are not a true representation of the fireplace and/or flames.

FEATURES & BENEFITS

- Optional Bella cabinet system with choice of wood & finish
- Choice of three fronts (one required) in multiple finishes
- Patented accent lighting system and electric ember bed
- Three-function wall switch with on/off, high/low flame (NG only) and accent lighting functionality
- Cantilevered firebox design with hand-painted FireBrick®
- Energy-Saving Intermittent Pilot Ignition system
- Sealed combustion chamber, top vent

ESSENCE INTERCHANGEABLE DECORATIVE PANELS

Accent the Essence front with one of three interchangeable decorative panels.



FRONT OPTIONS

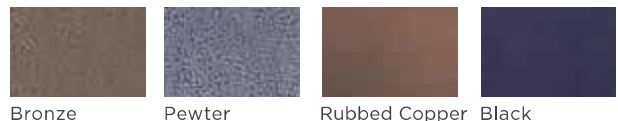


Essence
Available in Bronze or Pewter

Reserve
Available in Bronze, Pewter or Rubbed Copper

DF-CRES2-BK
Available in Black

FINISHES



For complete information on this model, please contact us at:

HEAT & GLO

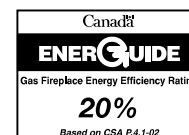
No one builds a better fire

A brand of Hearth & Home Technologies Inc.®
 7571 215th Street West, Lakeville, MN 55044
 Web: heatnglo.com
 Phone: (888) 427-3973 (952) 985-6000
 E-mail: info@heatnglo.com

*For full warranty details, go to www.heatnglo.com.

LIMITED LIFETIME WARRANTY*

The strongest in the industry, Heat & Glo provides a limited lifetime warranty on the most important aspects: firebox and heat exchanger.



HNG-1012U-1010