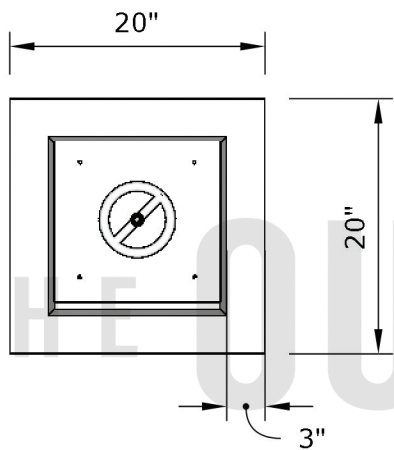
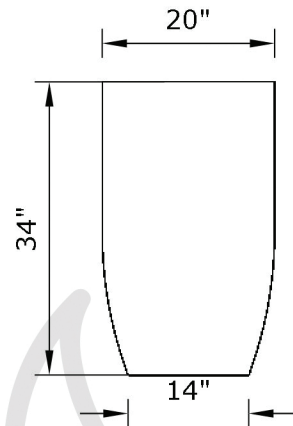


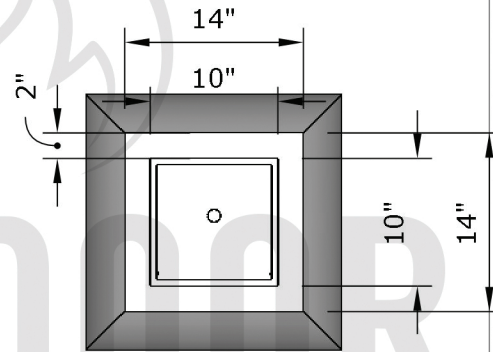
Replacement Part Numbers



TOP



FRONT



SIDE

Baston - 20" Fire Pit

Page Number	1 of 1
Author: Bryant Uribe	4/13/2018
Approved By: Gabriel Estrada	4/13/2018

Part Number	OPT-BSTON20, OPT-BSTON20EKIT
Material	GFRC (Glass Fiber Reinforced Concrete)
Finishes	Ash, Black, Gray, Brown, Chocolate, Vanilla
Gas Type	Natural Gas (-NG) or Liquid Propane (-LP)
Weight	125 lbs.
BTUs	65,000
Suggested Fire Glass	25 lbs.
Access Door	N/A

ITEM NO.	REPLACEMENT PART NUMBER	QTY.
1	OPT-158	1

Proprietary & Confidential: The information contained in this drawing is the sole property of **The Outdoor Plus**. Any reproduction or as a whole without written permission of **The Outdoor Plus** is prohibited.

