



Fire Features

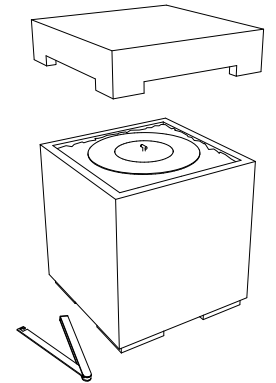
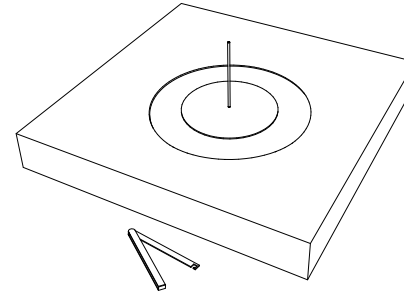
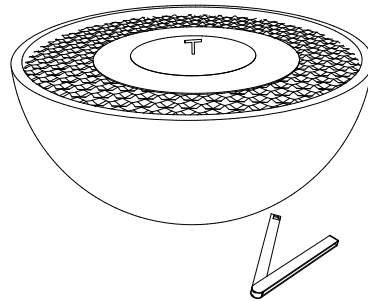
ETHANOL BURNER

FOR: CUBE, HEMI & HALOs

Table of Contents:

1. Title page.
2. General Safety Warnings.
3. HEMI Diagram (exploded).
4. HALO Diagram (exploded).
5. HALO ELEVATED Diagram (exploded)
6. FIRE CUBE Diagram (exploded)
7. ROCK RING GAP.
8. Important Safety Information,
9. Location and Clearance Requirements.
10. Location and Clearance Requirements.
11. Safety Markings.
12. Clearance to Combustible Surfaces.
13. Equipment & Accessories Provided.
14. Equipment & Accessories Provided.
15. Installation & Assembly.
16. Filling, Lighting & Extinguishing.
17. Extinguishing & Refueling.
18. Maintenance & Care.
19. Maintenance & Care.
20. Limited Warranty.
21. Limited Warranty.

INSTALLATION & OPERATION MANUAL.



WARNING!

Failure to follow instructions may result in serious injury, destruction of property or loss of life



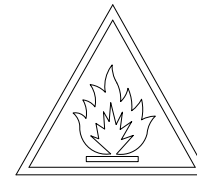
Do NOT re-fill while burner unit is still hot!
Fuel may ignite!



Do NOT re-fill while burner unit is burning!
Explosion may result!



Keep children away from burner! Even when no flame present,



DANGER FLAMABLE!



Fire Features

ETHANOL BURNER

FOR: CUBE, HEMI & HALOs

Table of Contents:

1. Title page.
2. General Safety Warnings.
3. HEMI Diagram (exploded).
4. HALO Diagram (exploded).
5. HALO ELEVATED Diagram (exploded)
6. FIRE CUBE Diagram (exploded)
7. ROCK RING GAP.
8. Important Safety Information,
9. Location and Clearance Requirements.
10. Location and Clearance Requirements.
11. Safety Markings.
12. Clearance to Combustible Surfaces.
13. Equipment & Accessories Provided.
14. Equipment & Accessories Provided.
15. Installation & Assembly.
16. Filling, Lighting & Extinguishing.
17. Extinguishing & Refueling.
18. Maintenance & Care.
19. Maintenance & Care.
20. Limited Warranty.
21. Limited Warranty.

INSTALLER: Leave this manual with the appliance.

CONSUMER: Retain this manual for future reference.

WARNING:

Read and understand Installation & User Manual and all safety instructions before use.

WARNING:

Improper installation, adjustment, alteration, service, or maintenance can cause injury or property damage. Read the Installation and User Manual thoroughly before using or servicing this equipment.

WARNING:

Do not store or use gasoline or other flammable vapor and liquids in vicinity of this or any other appliance. An LP (propane)-cylinder shall not be stored in the vicinity of this appliance.

WARNING:

Not suitable for continuous heating. For occasional decorative and ambiance use only. Never use the ethanol burner for cooking, heating or boiling water. Do not put wood, charcoal, paper or any combustible materials in the fire or ethanol burner



Fire Features

ETHANOL BURNER

FOR: CUBE, HEMI & HALOs

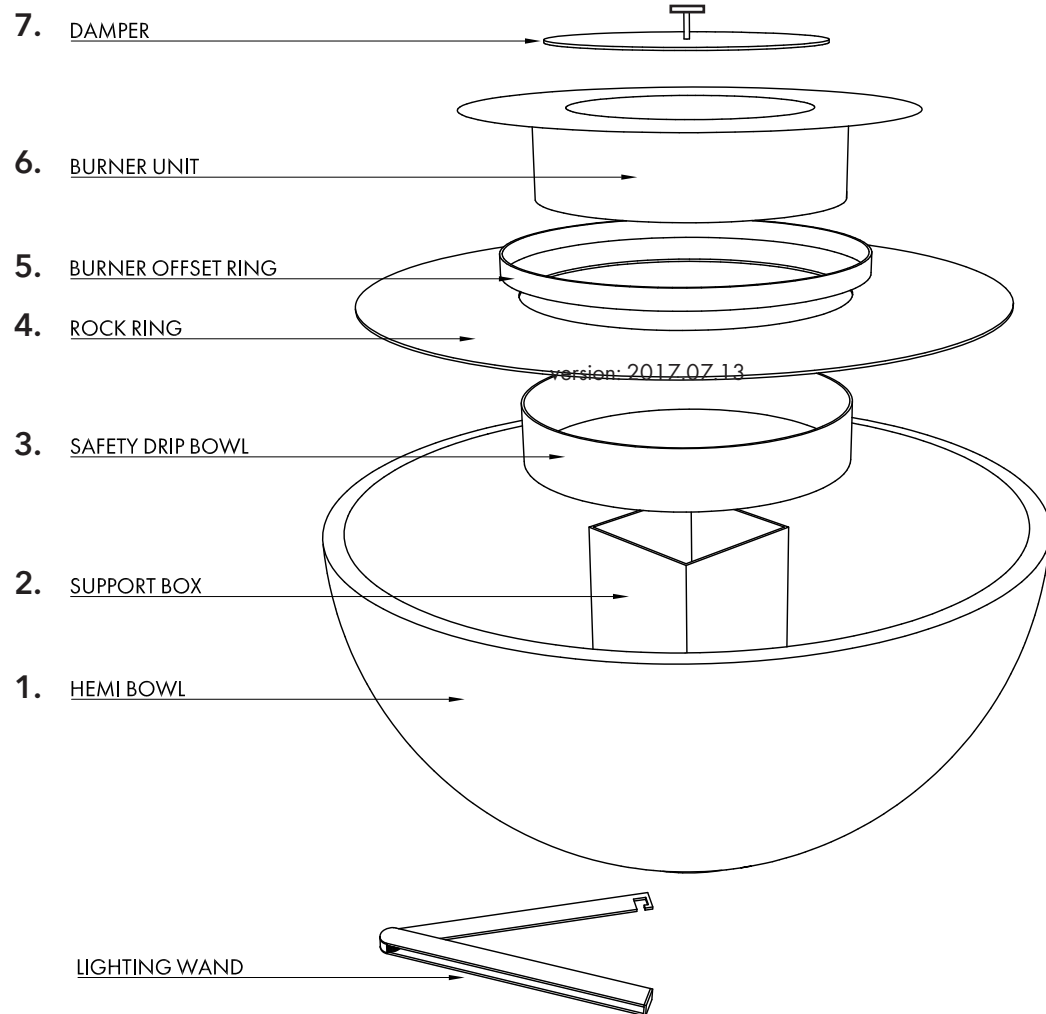
Table of Contents:

1. Title page.
2. General Safety Warnings.
3. HEMI Diagram (exploded).
4. HALO Diagram (exploded).
5. HALO ELEVATED Diagram (exploded)
6. FIRE CUBE Diagram (exploded)
7. ROCK RING GAP.
8. Important Safety Information,
9. Location and Clearance Requirements.
10. Location and Clearance Requirements.
11. Safety Markings.
12. Clearance to Combustible Surfaces.
13. Equipment & Accessories Provided.
14. Equipment & Accessories Provided.
15. Installation & Assembly.
16. Filling, Lighting & Extinguishing.
17. Extinguishing & Refueling.
18. Maintenance & Care.
19. Maintenance & Care.
20. Limited Warranty.
21. Limited Warranty.

version: 2017.07.13

HEMI: ASSEMBLY ORDER

YOU MUST ASSEMBLE IN THIS ORDER OTHERWISE VESSEL MAY CRACK!
START AT 1 AND PROCEED TO 7.





Fire Features

ETHANOL BURNER

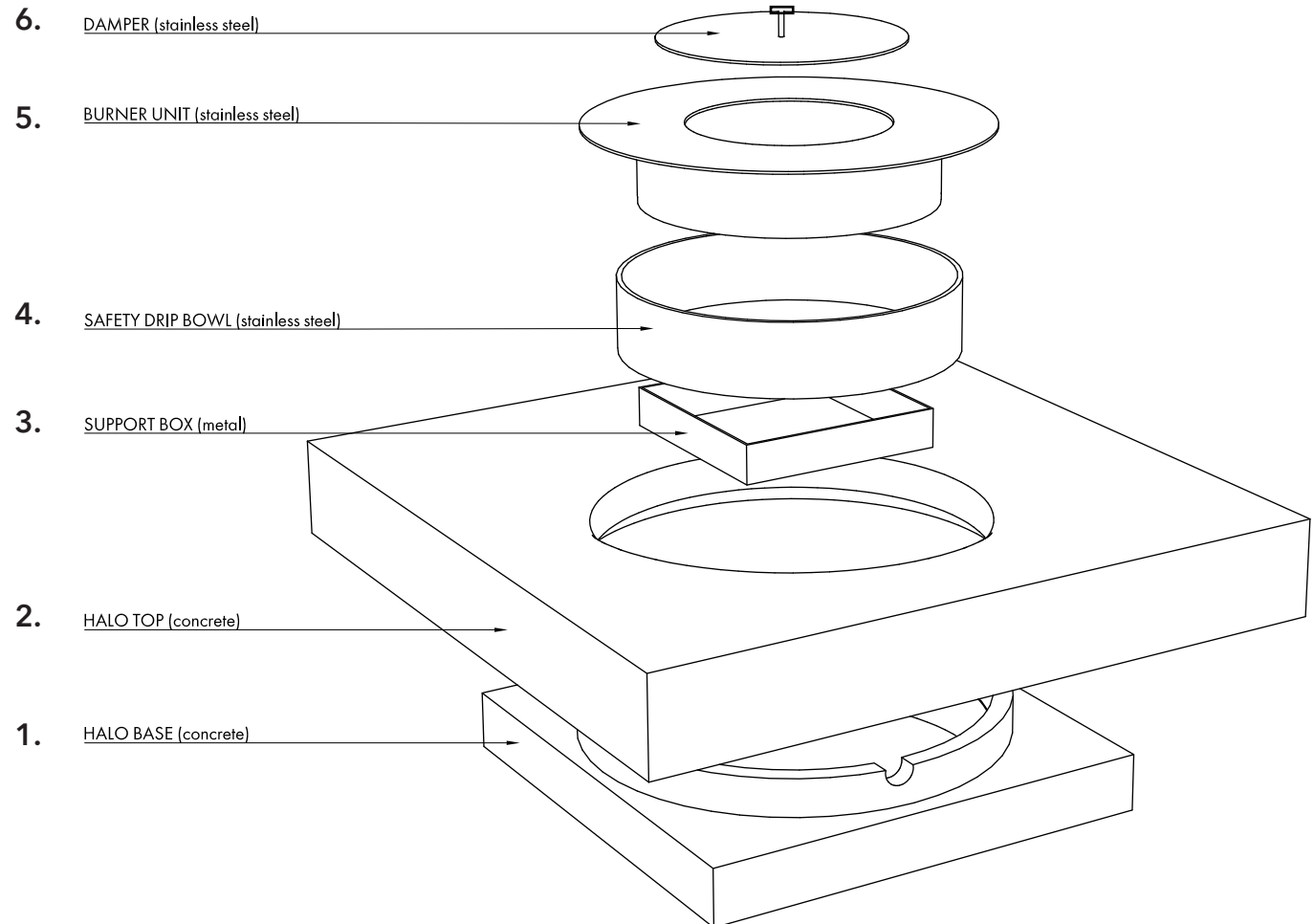
FOR: CUBE, HEMI & HALOs

Table of Contents:

1. Title page.
2. General Safety Warnings.
3. HEMI Diagram (exploded).
4. HALO Diagram (exploded).
5. HALO ELEVATED Diagram (exploded)
6. FIRE CUBE Diagram (exploded)
7. ROCK RING GAP.
8. Important Safety Information,
9. Location and Clearance Requirements.
10. Location and Clearance Requirements.
11. Safety Markings.
12. Clearance to Combustible Surfaces.
13. Equipment & Accessories Provided.
14. Equipment & Accessories Provided.
15. Installation & Assembly.
16. Filling, Lighting & Extinguishing.
17. Extinguishing & Refueling.
18. Maintenance & Care.
19. Maintenance & Care.
20. Limited Warranty.
21. Limited Warranty.

HALO: ASSEMBLY ORDER

YOU MUST ASSEMBLE IN THIS ORDER OTHERWISE VESSEL MAY CRACK!
START AT 1 AND PROCEED TO 6.





Fire Features

ETHANOL BURNER

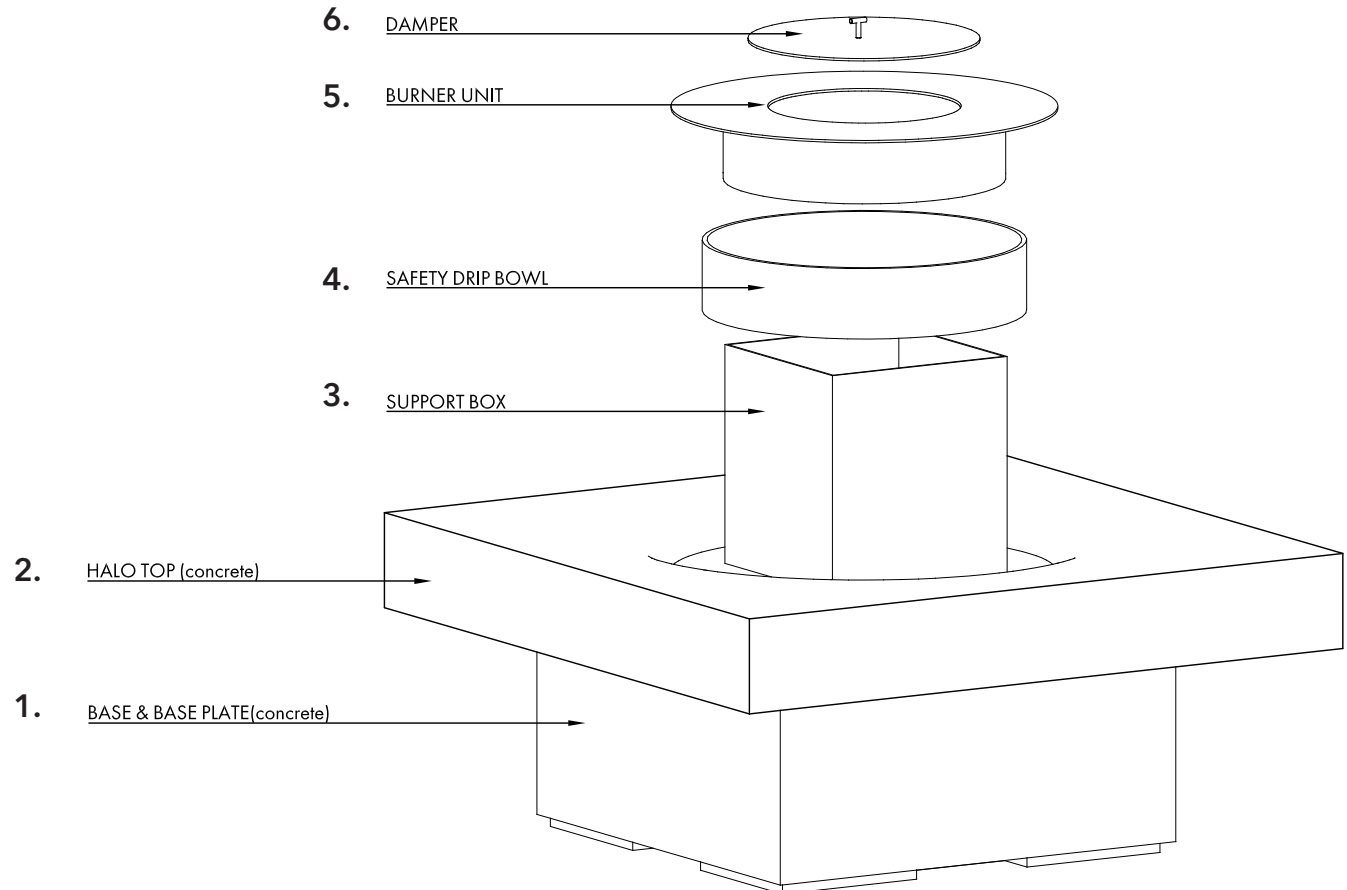
FOR: CUBE, HEMI & HALOs

Table of Contents:

1. Title page.
2. General Safety Warnings.
3. HEMI Diagram (exploded).
4. HALO Diagram (exploded).
5. HALO ELEVATED Diagram (exploded)
6. FIRE CUBE Diagram (exploded)
7. ROCK RING GAP.
8. Important Safety Information,
9. Location and Clearance Requirements.
10. Location and Clearance Requirements.
11. Safety Markings.
12. Clearance to Combustible Surfaces.
13. Equipment & Accessories Provided.
14. Equipment & Accessories Provided.
15. Installation & Assembly.
16. Filling, Lighting & Extinguishing.
17. Extinguishing & Refueling.
18. Maintenance & Care.
19. Maintenance & Care.
20. Limited Warranty.
21. Limited Warranty.

ELEVATED HALO: ASSEMBLY ORDER

YOU MUST ASSEMBLE IN THIS ORDER OTHERWISE VESSEL MAY CRACK!
START AT 1 AND PROCEED TO 6.



ETHANOL BURNER

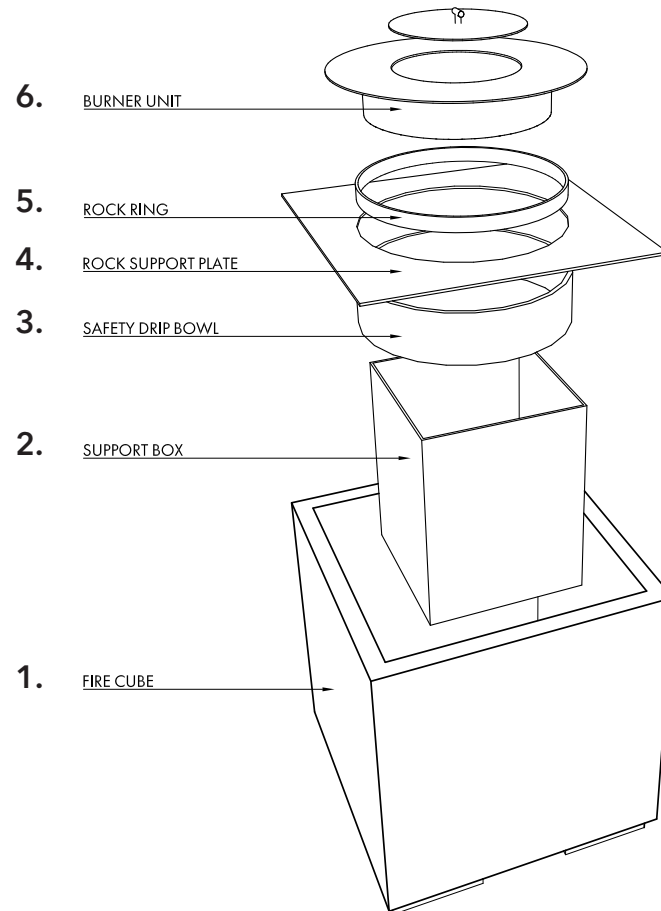
FOR: CUBE, HEMI & HALOs

Table of Contents:

1. Title page.
2. General Safety Warnings.
3. HEMI Diagram (exploded).
4. HALO Diagram (exploded).
5. HALO ELEVATED Diagram (exploded)
6. FIRE CUBE Diagram (exploded)
7. ROCK RING GAP.
8. Important Safety Information,
9. Location and Clearance Requirements.
10. Location and Clearance Requirements.
11. Safety Markings.
12. Clearance to Combustible Surfaces.
13. Equipment & Accessories Provided.
14. Equipment & Accessories Provided.
15. Installation & Assembly.
16. Filling, Lighting & Extinguishing.
17. Extinguishing & Refueling.
18. Maintenance & Care.
19. Maintenance & Care.
20. Limited Warranty.
21. Limited Warranty.

FIRE CUBE: ASSEMBLY ORDER

YOU MUST ASSEMBLE IN THIS ORDER OTHERWISE VESSEL MAY CRACK!
START AT 1 AND PROCEED TO 6.





Fire Features

ETHANOL BURNER

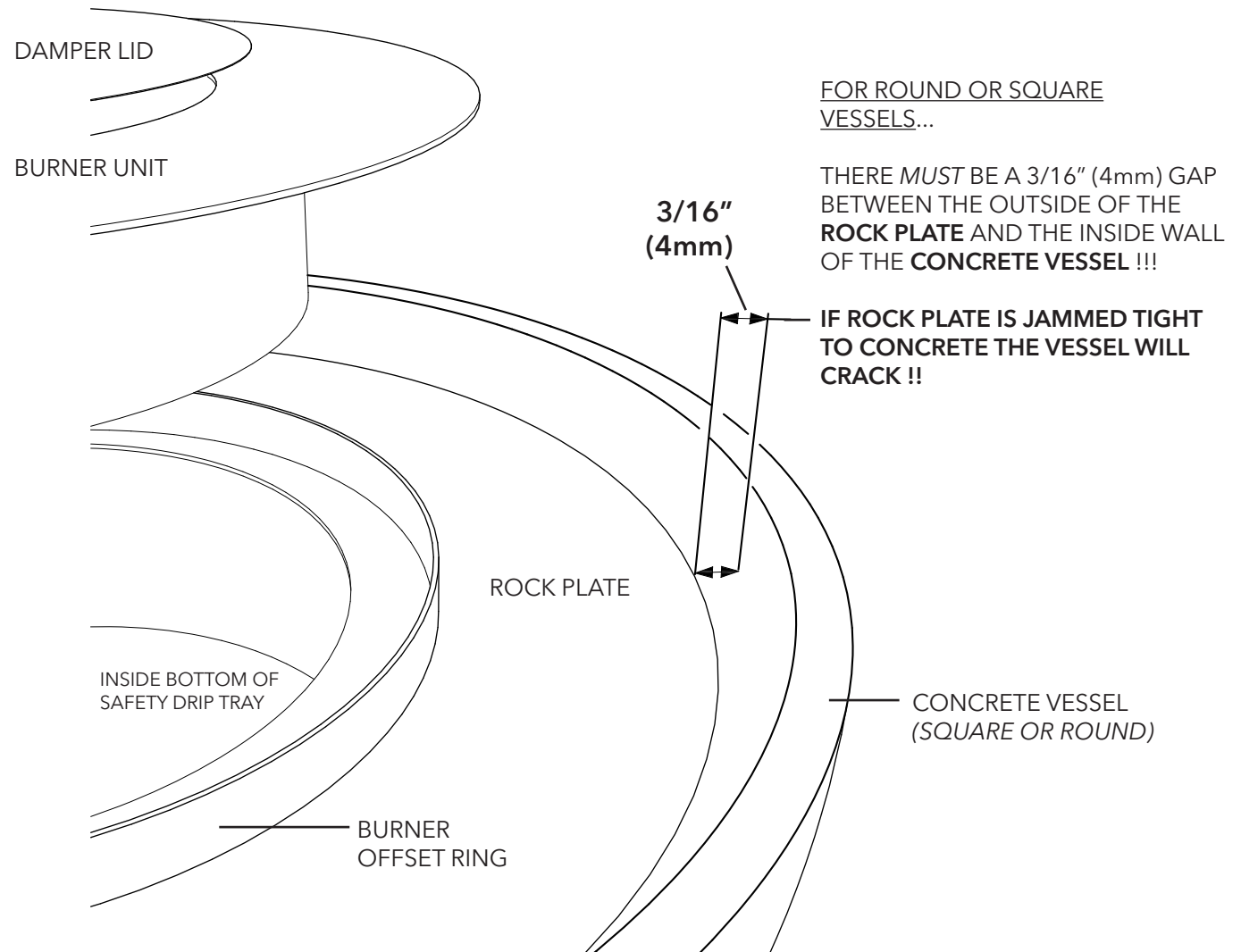
FOR: CUBE, HEMI & HALOs

Table of Contents:

1. Title page.
2. General Safety Warnings.
3. HEMI Diagram (exploded).
4. HALO Diagram (exploded).
5. HALO ELEVATED Diagram (exploded)
6. FIRE CUBE Diagram (exploded)
7. ROCK RING GAP.
8. Important Safety Information,
9. Location and Clearance Requirements.
10. Location and Clearance Requirements.
11. Safety Markings.
12. Clearance to Combustible Surfaces.
13. Equipment & Accessories Provided.
14. Equipment & Accessories Provided.
15. Installation & Assembly.
16. Filling, Lighting & Extinguishing.
17. Extinguishing & Refueling.
18. Maintenance & Care.
19. Maintenance & Care.
20. Limited Warranty.
21. Limited Warranty.

version: 2017.07.13

IMPORTANT ASSEMBLY DETAIL !





Fire Features

ETHANOL BURNER

FOR: CUBE, HEMI & HALOs

Table of Contents:

1. Title page.
2. General Safety Warnings.
3. HEMI Diagram (exploded).
4. HALO Diagram (exploded).
5. HALO ELEVATED Diagram (exploded)
6. FIRE CUBE Diagram (exploded)
7. ROCK RING GAP.
8. Important Safety Information,
9. Location and Clearance Requirements.
10. Location and Clearance Requirements.
11. Safety Markings.
12. Clearance to Combustible Surfaces.
13. Equipment & Accessories Provided.
14. Equipment & Accessories Provided.
15. Installation & Assembly.
16. Filling, Lighting & Extinguishing.
17. Extinguishing & Refueling.
18. Maintenance & Care.
19. Maintenance & Care.
20. Limited Warranty.
21. Limited Warranty.

version: 2017.07.13

IMPORTANT SAFETY INFORMATION, LOCATION & CLEARANCE REQUIREMENTS.

Please carefully follow the instructions in this manual to prevent personal injury or property loss. Instructions are updated periodically. It is the installers and users responsibility to periodically re-review these instruction and check online for applicable updates at www.solusdecor.com

WARNING: Explosion and Fire Hazard!

- + Never use gasoline, kerosine or any other type of fuel. Use only 100% Bio-Ethanol (alcohol) fuel.
- + Do not add fuel to a burning appliance. Use damper and allow appliance to cool for 30 minutes before adding more fuel. Always use the damper for at least 5 minutes to ensure that any residual flame is extinguished. Always repeat this procedure before any refuelling.
- + Wipe up any spilled fuel immediately. Spilt fuel may damage surfaces as well as ignite. Remove rags from area and allow to dry before igniting appliance.
- + Store fuel away from appliance and in authorized containers approved for that fuel type.
- + Do not use the appliance in areas where there may be compressed air tanks, propane tanks, oxygen tanks or flammable vapors may be present.
- + No smoking while refuelling or igniting. Seriously!

WARNING: Ventilation!

- + Open fires consume oxygen. Make sure the area has adequate ventilation. Improper ventilation can cause serious injury or death.

WARNING: Location of Appliance.

- + Use only for a decorative and ambiance purpose. This is not suitable for continuous operation as a heating or cooking unit. Addition of any other flammable substance (other than bio-ethanol fuel) can result in uncontrolled fire hazards.
- + Position appliance away from foliage, garden furniture, dry leaf beds or overhanging branches.
- + Position in areas away from children's play areas and in a place where children can be monitored closely at all times.
- + Wind or breeze gusts will blow the flame along with it. Position appliance in a wind calm area.



Fire Features

ETHANOL BURNER

FOR: CUBE, HEMI & HALOs

Table of Contents:

1. Title page.
2. General Safety Warnings.
3. HEMI Diagram (exploded).
4. HALO Diagram (exploded).
5. HALO ELEVATED Diagram (exploded)
6. FIRE CUBE Diagram (exploded)
7. ROCK RING GAP.
8. Important Safety Information,
9. Location and Clearance Requirements.
10. Location and Clearance Requirements.
11. Safety Markings.
12. Clearance to Combustible Surfaces.
13. Equipment & Accessories Provided.
14. Equipment & Accessories Provided.
15. Installation & Assembly.
16. Filling, Lighting & Extinguishing.
17. Extinguishing & Refueling.
18. Maintenance & Care.
19. Maintenance & Care.
20. Limited Warranty.
21. Limited Warranty.

WARNING: Hot Metal Surfaces!

- + The stainless steel burner unit gets very hot and remains hot for up to 30 minutes after the fire has been extinguished. Keep children away from fire pit even when no flames are present as touching any exposed metal may seriously burn skin!
- + Remove lighting wand from flame area so that it will remain cool to the touch and can be used later.
- + Keep Damper away from flame so it will remain cool to the touch.

WARNING: Fueling the Appliance.

- + Store fuel in a remote location and bring over only the amount required.
- + Decant fuel from small mouthed jugs into a stainless steel or approved plastic graduated and spouted container before filling burner reservoir. This will give you more control over spills and appropriate volumes of liquid fuel.
- + **DO NOT FILL WHEN FLAME IS PRESENT.** Even a small unseen flame will ignite a stream of fuel up into the decanter. The possible outcomes are serious burn injuries, explosion, loss of sight and possible death. ALWAYS use Damper (in place for at least 5 minutes) to make sure flame is completely out before refueling.
- + **DO NOT RE-FILL WHEN BURNER IS STILL HOT.** A hot metal surface can still ignite the fuel. Let the burner unit cool for 30 minutes before refueling. Failure to do so may result in the outcomes listed above.
- + Solus Decor is not liable for any damage to person or property due to incorrect or inappropriate fuel usage, fuel storage or re-fuelling.
- + Do not overfill. 3 litres or 3/4 of a US Gallon MAXIMUM FUEL.



Fire Features

ETHANOL BURNER

FOR: CUBE, HEMI & HALOs

Table of Contents:

1. Title page.
2. General Safety Warnings.
3. HEMI Diagram (exploded).
4. HALO Diagram (exploded).
5. HALO ELEVATED Diagram (exploded)
6. FIRE CUBE Diagram (exploded)
7. ROCK RING GAP.
8. Important Safety Information,
9. Location and Clearance Requirements.
10. Location and Clearance Requirements.
11. Safety Markings.
12. Clearance to Combustible Surfaces.
13. Equipment & Accessories Provided.
14. Equipment & Accessories Provided.
15. Installation & Assembly.
16. Filling, Lighting & Extinguishing.
17. Extinguishing & Refueling.
18. Maintenance & Care.
19. Maintenance & Care.
20. Limited Warranty.
21. Limited Warranty.

WARNING: Ignition and Operation of the Appliance.

***FLAME WILL "WHOOSH" UP EVERY TIME THE FIRE FEATURE IS LIGHT ! KEEP FACE AWAY ***

+ ALWAYS USE THE LIGHTING WAND TO IGNITE THE APPLIANCE. Fumes start to accumulate as soon as the Damper

is removed. Trying to light with matches or a lighter puts your hand in the fume/flame area.

+ Keep your head and face as far away from burner unit as possible when lighting. The flame may plume up and burn your face, eyes and hair. Using the Lighting Wand helps to extend your reach and keep back from the flame.

+ Keep the Damper close at hand in case you need to extinguish quickly.

+ Periodically lift out burner unit and inspect underside and safety drip bowl for fuel leakage or accumulation. If there is a leak, discontinue all use and have unit repaired before igniting again. Continued use may lead to an explosion!

+ NEVER leave the fire unattended.

+ Lava rocks may crackle/pop and break apart whenever water gets into their pores and heated. Tiny bits may be ejected from the burner unit. The refractory "River Rocks" on top of the lava help to prevent the small bits from being ejected.

+ Always try to keep the Damper on top and in-place when appliance is not in use to prevent rain from entering the burn chamber.

+ Never put natural found rocks into fire, they have the potential to explode! We supply a man-made refractory "River Rock" that is heat and explosive resistant.

+ Never put any other accessory (ie. fake log sets...) into or over the burn chamber.

WARNINGS: Children and pets.

+ ALWAYS TEACH CHILDREN ABOUT THE DANGERS OF FIRE. NEVER LEAVE CHILDREN UNATTENDED AND KEEP ANY SOURCES OF IGNITION OUT OF THEIR REACH AT ALL TIMES.

+ Keep children and pets away from appliance at ALL times, even when no flames are present. Metal parts may still be HOT! Serious burns may result if touched.

+ We cannot emphasise this enough, PLEASE KEEP YOUR CHILDREN AND PETS SAFE.

ETHANOL BURNER

FOR: CUBE, HEMI & HALOs

Table of Contents:

1. Title page.
2. General Safety Warnings.
3. HEMI Diagram (exploded).
4. HALO Diagram (exploded).
5. HALO ELEVATED Diagram (exploded)
6. FIRE CUBE Diagram (exploded)
7. ROCK RING GAP.
8. Important Safety Information,
9. Location and Clearance Requirements.
10. Location and Clearance Requirements.
11. Safety Markings.
12. Clearance to Combustible Surfaces.
13. Equipment & Accessories Provided.
14. Equipment & Accessories Provided.
15. Installation & Assembly.
16. Filling, Lighting & Extinguishing.
17. Extinguishing & Refueling.
18. Maintenance & Care.
19. Maintenance & Care.
20. Limited Warranty.
21. Limited Warranty.

SAFETY MARKINGS

You will find these safety markings on the top plate of your burner unit and Damper. Please heed them carefully and do not obstruct them. If someone unfamiliar with these safety basic instruction tries to operate the unit and does not see them, they may cause harm to themselves, property or others.



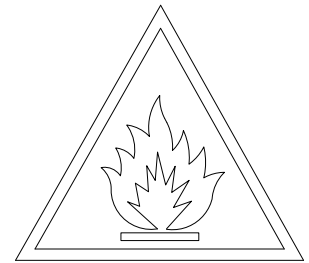
Do NOT re-fill while burner unit is still hot!
Fuel may ignite!



Do NOT re-fill while burner unit is burning!
Explosion may result!



Keep children away from burner! Even when no flame is present;
METAL REMAINS HOT!



DANGER
FLAMMABLE!



Fire Features

ETHANOL BURNER

FOR: CUBE, HEMI & HALOs

Table of Contents:

1. Title page.
2. General Safety Warnings.
3. HEMI Diagram (exploded).
4. HALO Diagram (exploded).
5. HALO ELEVATED Diagram (exploded)
6. FIRE CUBE Diagram (exploded)
7. ROCK RING GAP.
8. Important Safety Information,
9. Location and Clearance Requirements.
10. Location and Clearance Requirements.
11. Safety Markings.
12. Clearance to Combustible Surfaces.
13. Equipment & Accessories Provided.
14. Equipment & Accessories Provided.
15. Installation & Assembly.
16. Filling, Lighting & Extinguishing.
17. Extinguishing & Refueling.
18. Maintenance & Care.
19. Maintenance & Care.
20. Limited Warranty.
21. Limited Warranty.

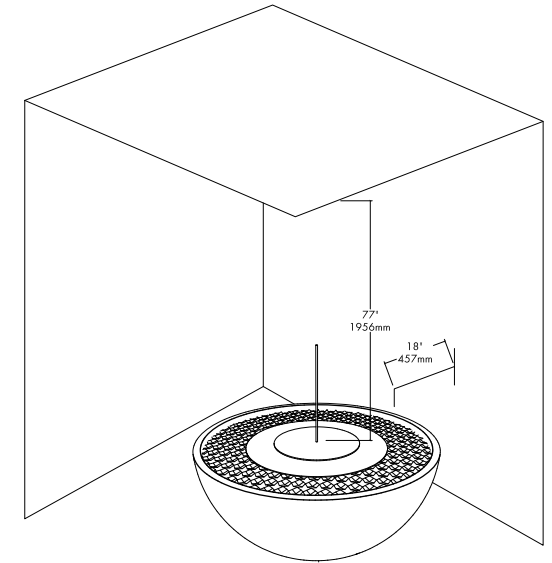
version: 2017.07.13

CLEARANCE TO COMBUSTIBLE SURFACES

The burner in this fire feature is very powerful and designed to burn at 60,000 BTU (17.5 KWh). Please ensure that you locate and position your fire pit following these guidelines.

WARNING: Keep away from combustible materials.

- + Sides surrounding fire pit: 18" or 457mm MINIMUM.
- + Above fire pit: 77" or 1956mm MINIMUM.



Wood deck: OK!

When choosing a location for your fire feature you should consider these parameters as well.

- + There is no danger of scorching a wood deck. The burner unit has a leak safe double wall and an extra safety drip bowl as well as an elevated support.
- + Pick a location that allows sufficient horizontal room to enjoy the fire while allowing a safe distance from the heat and flame.
- + Place on level ground. A small amount of shimming will be ok, but too much may cause the fire feature to tip over.
- + Choose a location that allows for easy access for installation and maintenance. Remember concrete is heavy.
- + Select a location that has good drainage and make sure that water can drain away through hole in the bottom of the fire pit.
- + It is recommended that granite, marble or other stone be kept away from the flame due to risk of cracking.



Fire Features

ETHANOL BURNER

FOR: CUBE, HEMI & HALOs

Table of Contents:

1. Title page.
2. General Safety Warnings.
3. HEMI Diagram (exploded).
4. HALO Diagram (exploded).
5. HALO ELEVATED Diagram (exploded)
6. FIRE CUBE Diagram (exploded)
7. ROCK RING GAP.
8. Important Safety Information,
9. Location and Clearance Requirements.
10. Location and Clearance Requirements.
11. Safety Markings.
12. Clearance to Combustible Surfaces.
13. Equipment & Accessories Provided.
14. Equipment & Accessories Provided.
15. Installation & Assembly.
16. Filling, Lighting & Extinguishing.
17. Extinguishing & Refueling.
18. Maintenance & Care.
19. Maintenance & Care.
20. Limited Warranty.
21. Limited Warranty.

version: 2017.07.13

EQUIPMENT AND ACCESSORIES PROVIDED

The fire feature includes the following equipment . Use all the pieces provided for safe operation of this appliance. Substituting or altering any of the parts may void warranty.

- 1 Installation & Users Manual
- 2 Concrete vessel.
Do not substitute the vessel for any other vessel.
- 3 Metal burner support box.
This raises the burner unit to the proper operating height and allows air flow under the burner to prevent scorching. **ALWAYS USE THE SUPPORT STAND PROVIDED.**
- 4 & 5 Ethanol Burner Unit.
The Burner Unit consists of two pieces. The Burner Unit proper and a Safety Drip Bowl. The Burner Unit fits into the Safety Drip Bowl. Periodically check the Safety Drip Bowl for fuel leaks. **IF A FUEL LEAK IS FOUND, DISCONTINUE USE OF THE FIRE FEATURE.** Continued burning may result in explosion.
- 6 Metal Rock Ring.
This will support all the decorative lava rock. **THERE SHOULD BE A 3/16" (4MM) GAP BETWEEN THE OUTER EDGE OF THE ROCK RING AND THE CONCRETE VESSEL.** This is required as it allows for expansion and contraction due to heat.
- 7 Large bag(s) of lava rock.
For distribution around the Rock Ring.
- 8 Small bag of refractory "River Rocks".
These "rocks" are actually man-made and approved for burning. Never use natural stones/rocks in any fire as they may explode.
- 9 Small (2 litre) bag of Lava rock.
For the burn chamber. This mediates the vigor of the flame and reduces consumption of fuel.



Fire Features

ETHANOL BURNER

FOR: CUBE, HEMI & HALOs

Table of Contents:

1. Title page.
2. General Safety Warnings.
3. HEMI Diagram (exploded).
4. HALO Diagram (exploded).
5. HALO ELEVATED Diagram (exploded)
6. FIRE CUBE Diagram (exploded)
7. ROCK RING GAP.
8. Important Safety Information,
9. Location and Clearance Requirements.
10. Location and Clearance Requirements.
11. Safety Markings.
12. Clearance to Combustible Surfaces.
13. Equipment & Accessories Provided.
14. Equipment & Accessories Provided.
15. Installation & Assembly.
16. Filling, Lighting & Extinguishing.
17. Extinguishing & Refueling.
18. Maintenance & Care.
19. Maintenance & Care.
20. Limited Warranty.
21. Limited Warranty.

(continued)

10 Burner Offset Ring.

This raises the Burner Unit above the level of the Rock Ring lava rocks.

11 Damper.

Always keep the Damper close by so that you can extinguish the flame quickly if needed. Leave the Damper in place when the fire is not in use to prevent premature evaporation of fuel.

12 Lighting Rod.

Always use the lighting rod to ignite the burner. See " Ignition and Operation of the Appliance." in this manual.

13 Moving Harness.

Always use the moving harness to move the vessel and use the harness correctly! If not used correctly, bowl may slip out and break!

FIRE FEATURE INSTALLATION & ASSEMBLY

Spend a bit of time thinking about where to locate your fire feature. Concrete is heavy, so moving it once is the best plan. Here are some guidelines.

- + The area should be level and have good drainage.
- + Make sure your wood deck is structurally sound and can support the weight of the fire feature.
- + Keep in mind any adjacent flammable materials and be cognisant of tripping hazards.
- + Always have at least 2 people (or more depending on the model) to help move the concrete vessel.
- + Always use the moving harness.
- + Once positioned, use plastic shims to level and stabilize the vessel. Ensure that the vessel is stable and not "rocking".
- + Make sure drainage holes are not obstructed.



Fire Features

ETHANOL BURNER

FOR: CUBE, HEMI & HALOs

Table of Contents:

1. Title page.
2. General Safety Warnings.
3. HEMI Diagram (exploded).
4. HALO Diagram (exploded).
5. HALO ELEVATED Diagram (exploded)
6. FIRE CUBE Diagram (exploded)
7. ROCK RING GAP.
8. Important Safety Information,
9. Location and Clearance Requirements.
10. Location and Clearance Requirements.
11. Safety Markings.
12. Clearance to Combustible Surfaces.
13. Equipment & Accessories Provided.
14. Equipment & Accessories Provided.
15. Installation & Assembly.
16. Filling, Lighting & Extinguishing.
17. Extinguishing & Refueling.
18. Maintenance & Care.
19. Maintenance & Care.
20. Limited Warranty.
21. Limited Warranty.

ASSEMBLY

1. Place metal Support Box in center of vessel. Open end up with scalloped end down.
2. Place Safety Drip Bowl on top and in center of Support Box.
3. Place Rock Ring on top of Drip Bowl and center as needed. There should be a small gap to the inside edge of the concrete. This is to allow drainage and expansion of metal due to heat.
4. Place Burner Offset Ring around hole in top of Rock Ring.
5. Place Burner Unit into hole and on top of Burner Offset Ring and center accordingly.
6. Pour small bag of lava rock (2 litre) into burn chamber and spread evenly.
7. Arrange refractory "River Rocks" on top of lava rock in a pleasing manner while making sure you can still put the Damper on securely.
8. Assemble the Damper by screwing on the handle tightly with a screwdriver. Make sure the safety diagrams are on the top and visible when placed on the Burner Unit.
9. You're done!



Fire Features

ETHANOL BURNER

FOR: CUBE, HEMI & HALOs

Table of Contents:

1. Title page.
2. General Safety Warnings.
3. HEMI Diagram (exploded).
4. HALO Diagram (exploded).
5. HALO ELEVATED Diagram (exploded)
6. FIRE CUBE Diagram (exploded)
7. ROCK RING GAP.
8. Important Safety Information,
9. Location and Clearance Requirements.
10. Location and Clearance Requirements.
11. Safety Markings.
12. Clearance to Combustible Surfaces.
13. Equipment & Accessories Provided.
14. Equipment & Accessories Provided.
15. Installation & Assembly.
16. Filling, Lighting & Extinguishing.
17. Extinguishing & Refueling.
18. Maintenance & Care.
19. Maintenance & Care.
20. Limited Warranty.
21. Limited Warranty.

version: 2017.07.13

FILLING, LIGHTING & EXTINGUISHING

Generally, we have found that 3 litres (3/4 gallon) of fuel will burn for about 1-1/2 to 2 hours in a draft free area. The last 10-15 minutes of this time will exhibit weaker flames. If you have installed your fire feature in a breezy or windy area expect to have a shorter burn time.



NO SMOKING DURING FILLING & IGNITION

1. We suggest decanting the fuel into an approved graduated container with a pourable spout before filling the burn chamber. This will prevent spills and splashing as well as giving you a volumetric gauge on consumption.
2. Fill the graduated container to the 3 litre (3/4 gallon) mark and slowly pour into the burn chamber that is 1/2 filled with lava rock and refractory "River Rock". Generally, the top of the fuel should be to the top of the lava rock.
3. Cover the burn chamber with the Damper to let the fumes subside.
4. Have your lighter and opened Lighting Wand at the ready then remove the Damper.
5. Dip the hooked end of the Lighting Wand deep into the fuel of the burn chamber. Move the lava rocks around a bit to ensure good fuel coverage on the end of the wand (apprx. 1/2"). Then stand back (at least 3' or 1 m and ignite the end of the wand. Then insert the burning wand end into the burn chamber to ignite.

BE CAREFUL! FLAMES MAY PLUME UP, SO KEEP FACE BACK!
6. Burn chamber should now be burning. Make sure to extinguish any flame on the wand before setting down.
7. At first the flames may be hard to see, it usually takes about 5 minutes of burning before turning a rich orange colour. Be patient, it will happen.



Fire Features

ETHANOL BURNER

FOR: CUBE, HEMI & HALOs

Table of Contents:

1. Title page.
2. General Safety Warnings.
3. HEMI Diagram (exploded).
4. HALO Diagram (exploded).
5. HALO ELEVATED Diagram (exploded)
6. FIRE CUBE Diagram (exploded)
7. ROCK RING GAP.
8. Important Safety Information,
9. Location and Clearance Requirements.
10. Location and Clearance Requirements.
11. Safety Markings.
12. Clearance to Combustible Surfaces.
13. Equipment & Accessories Provided.
14. Equipment & Accessories Provided.
15. Installation & Assembly.
16. Filling, Lighting & Extinguishing.
17. Extinguishing & Refueling.
18. Maintenance & Care.
19. Maintenance & Care.
20. Limited Warranty.
21. Limited Warranty.

version: 2017.07.13

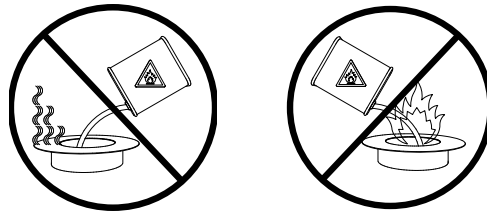
EXTINGUISHING

1. Make sure there is a tight fit of the Damper to the Burner Unit. Any impediments will allow air flow into the chamber rendering the Damper useless.
2. To snuff out the flame, just place the Damper over the burn chamber and leave for 5 minutes. This will ensure that any flame is extinguished.
3. Leave the Damper in place when not using the fire feature. This will prevent water from entering the burn chamber and slow the evaporation of any unspent fuel.

REFUELING

**** NEVER REFUEL WHILE BURNER UNIT IS STILL HOT ****
WAIT 30 MINUTES BEFORE ADDING MORE FUEL!

**** NEVER REFUEL WHEN THERE IS FLAME PRESENT****
ALWAYS USE Damper FOR A MINIMUM OF 5 MINUTES TO ENSURE HIDDEN FLAMES ARE EXTINGUISHED!



1. Wait until Burner Unit cools down.
2. Make sure there is no unseen flame still burning by leaving Damper over burn chamber for at least 5 minutes then remove Damper.
3. Pour appropriate amount of fuel from supply jug into decanter. Then carefully pour fuel into burn chamber. If you aim for the lava rock there will be less splash back.



Fire Features

ETHANOL BURNER

FOR: CUBE, HEMI & HALOs

Table of Contents:

1. Title page.
2. General Safety Warnings.
3. HEMI Diagram (exploded).
4. HALO Diagram (exploded).
5. HALO ELEVATED Diagram (exploded)
6. FIRE CUBE Diagram (exploded)
7. ROCK RING GAP.
8. Important Safety Information,
9. Location and Clearance Requirements.
10. Location and Clearance Requirements.
11. Safety Markings.
12. Clearance to Combustible Surfaces.
13. Equipment & Accessories Provided.
14. Equipment & Accessories Provided.
15. Installation & Assembly.
16. Filling, Lighting & Extinguishing.
17. Extinguishing & Refueling.
18. Maintenance & Care.
19. Maintenance & Care.
20. Limited Warranty.
21. Limited Warranty.

version: 2017.07.13

REFUELING (continued)

4. Replace Damper to prevent accumulation of fumes.
5. Wipe up any spills or drips and set the rags away.
6. Use standard Lighting Procedure (page 12).

MAINTENANCE AND CARE

All Solus products are of the highest quality and designed to last a very long time. With a little extra care and maintenance you can ensure your fire feature will look great and work well far into the future. Please follow these basic guidelines in caring for you fire feature.

Concrete Vessel.

- + Keeping the fire feature covered and out of the rain is the best way to keep your appliance in optimal condition. We recommend a Solus Decor firepit cover for this purpose. Remember, don't put a cover on a HOT fire pit!
- + Periodic (2 times a year) sealing of the concrete bowl will help to keep it water resistant and looking nice. Over time more applications will increase the gloss. We recommend 'Miracle 5 1 1', which is a solvent based concrete penetrating sealer, though others may work as well. Check compatibility on an unseen part of the bowl before proceeding.
- + If you are going to place drinks onto the concrete surface, please use a coaster. This will prevent 'water rings' from forming on the surface of your concrete.

Burner Unit.

- + Periodically lift the burner out and inspect the Safety Drip Bowl for fuel leaks. If you do detect a leak, discontinue use of the fire pit until leak is stopped. Call Solus Decor for appropriate course of action. Continued burning may cause an explosion!



Fire Features

ETHANOL BURNER

FOR: CUBE, HEMI & HALOs

Table of Contents:

1. Title page.
2. General Safety Warnings.
3. HEMI Diagram (exploded).
4. HALO Diagram (exploded).
5. HALO ELEVATED Diagram (exploded)
6. FIRE CUBE Diagram (exploded)
7. ROCK RING GAP.
8. Important Safety Information,
9. Location and Clearance Requirements.
10. Location and Clearance Requirements.
11. Safety Markings.
12. Clearance to Combustible Surfaces.
13. Equipment & Accessories Provided.
14. Equipment & Accessories Provided.
15. Installation & Assembly.
16. Filling, Lighting & Extinguishing.
17. Extinguishing & Refueling.
18. Maintenance & Care.
19. Maintenance & Care.
20. Limited Warranty.
21. Limited Warranty.

MAINTENANCE AND CARE (continued)

- + The Burner unit is made of high quality 304 Stainless Steel so very little maintenance is required. Try to keep sharp objects or harsh abrasives away from the steel surface as they can scratch and mar. It is normal for the stainless steel to darken to a bronze/black with repeated burning.

Stands and Rings.

- + All the supports and rings are made from non-corrosive metals; stainless steel or aluminum, so there should be no need for any maintenance.
- + THERE SHOULD BE A SLIGHT GAP (3/16" OR 3 MM) FROM THE OUTER EDGE OF THE ROCK RING TO THE INSIDE OF THE CONCRETE BOWL. This is to allow the metal to expand freely.

Lava rock.

- + Try to keep lava rock in the burn chamber free from moisture. Any moisture that gets into the lava may boil, crackle and cause little bits of hot lava rock to be ejected from the burn chamber.



Fire Features

ETHANOL BURNER

FOR: CUBE, HEMI & HALOs

Table of Contents:

1. Title page.
2. General Safety Warnings.
3. HEMI Diagram (exploded).
4. HALO Diagram (exploded).
5. HALO ELEVATED Diagram (exploded)
6. FIRE CUBE Diagram (exploded)
7. ROCK RING GAP.
8. Important Safety Information,
9. Location and Clearance Requirements.
10. Location and Clearance Requirements.
11. Safety Markings.
12. Clearance to Combustible Surfaces.
13. Equipment & Accessories Provided.
14. Equipment & Accessories Provided.
15. Installation & Assembly.
16. Filling, Lighting & Extinguishing.
17. Extinguishing & Refueling.
18. Maintenance & Care.
19. Maintenance & Care.
20. Limited Warranty.
21. Limited Warranty.

version: 2017.07.13

SOLUS LIMITED MANUFACTURERS WARRANTY

This warranty covers manufacturers defects only for the specified times below:

+ Supports and rings made from non-corrosive metals, stainless steel or aluminum:	2 years (from ship date).
+ Ethanol Burner Unit made from stainless steel:	2 years (from ship date).
+ Concrete vessel:	2 years (from ship date).
+ Shipping and crating *:	2 years (from ship date).

* Shipping and crating of any replacement parts will be covered at Solus Decor's discretion.

Here are some things NOT covered:

- + Solus Decor's products are composed of both hand crafted and machine manufactured parts. As such, these parts will change, due to heat expansion/contraction and exposure to the elements at different rates. These changes will occur over lengthy periods of time and are normal and is not covered by this warranty.
- + Concrete parts will exhibit colour and textural variations and may not exactly match supplied samples. Concrete will also slowly erode over time, exposing the aggregate. Both of these features are natural and not covered by this warranty.
- + Concrete is naturally very porous and we seal every piece. We recommend the consumer continue to seal the concrete periodically throughout the lifetime of the product as well. Sealing does NOT render the concrete STAIN PROOF. As such, any stains are not covered.
- + Cracks or breakage due to improper lifting, moving, dropping, installing or shipping are not covered. As well as any accidental blows or damage to the vessel.
- + Direct and continuous contact between fire and concrete will result in cracking! No warranty is provided if the fire feature is used improperly for burning wood or other solid fuel.



Fire Features

ETHANOL BURNER

FOR: CUBE, HEMI & HALOs

Table of Contents:

1. Title page.
2. General Safety Warnings.
3. HEMI Diagram (exploded).
4. HALO Diagram (exploded).
5. HALO ELEVATED Diagram (exploded)
6. FIRE CUBE Diagram (exploded)
7. ROCK RING GAP.
8. Important Safety Information,
9. Location and Clearance Requirements.
10. Location and Clearance Requirements.
11. Safety Markings.
12. Clearance to Combustible Surfaces.
13. Equipment & Accessories Provided.
14. Equipment & Accessories Provided.
15. Installation & Assembly.
16. Filling, Lighting & Extinguishing.
17. Extinguishing & Refueling.
18. Maintenance & Care.
19. Maintenance & Care.
20. Limited Warranty.
21. Limited Warranty.

version: 2017.07.13

SOLUS LIMITED MANUFACTURERS WARRANTY

...things NOT covered (continued):

- + Chipping, scratching, marring or tarnishing is not covered.
- + Service calls from Solus personnel or for any sub-contractor or sub-contracted labour.
- + Any incidental shipping, storing or delay fees.
- + Any surface discolouration or damage due to improper storage or handling.

Ideally there will be no issues with any Solus product that you purchase, but in case there is, we will need to gather some information before we can process your claim. Please go to our website and look for the WARRANTY CLAIMS form, fill it out and email it back to us. We will get back to you within 5 days. If you have not heard back, please call us at 1-877-255-3146.