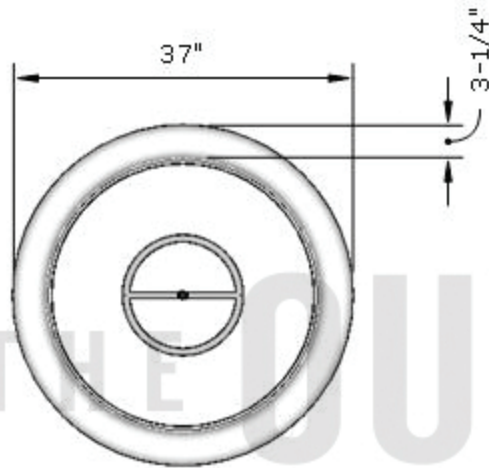
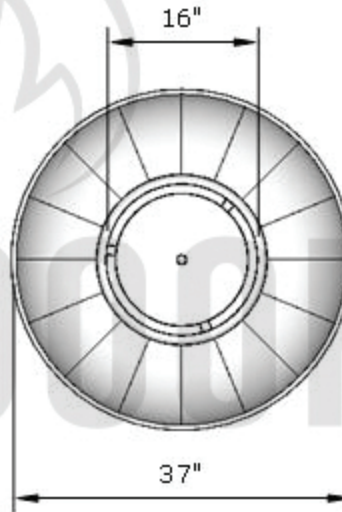


**Replacement Part Numbers**



**TOP**



**SIDE**

**FRONT**



**Roma - 37" Fire Pit**

<b>Page Number</b>	1 of 1
<b>Author:</b> Bryant Uribe	4/13/2018
<b>Approved By:</b> Gabriel Estrada	4/13/2018

<b>Part Number</b>	OPT-ROM37, OPT-ROM37EKIT
<b>Material</b>	GFRC (Glass Fiber Reinforced Concrete)
<b>Finishes</b>	Ash, Black, Gray, Limestone, Chocolate, Brown, Vanilla
<b>Gas Type</b>	Natural Gas (-NG) or Liquid Propane (-LP)
<b>Weight</b>	245 lbs.
<b>BTUs</b>	150,000
<b>Suggested Fire Glass</b>	75 lbs.
<b>Access Door</b>	N/A

ITEM NO.	REPLACEMENT PART NUMBER	QTY.
1	OPT-159	1

**Proprietary & Confidential:** The information contained in this drawing is the sole property of *The Outdoor Plus*. Any reproduction or as a whole without written permission of *The Outdoor Plus* is prohibited.