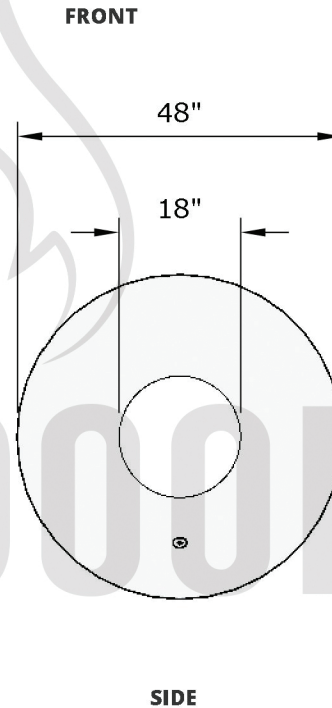
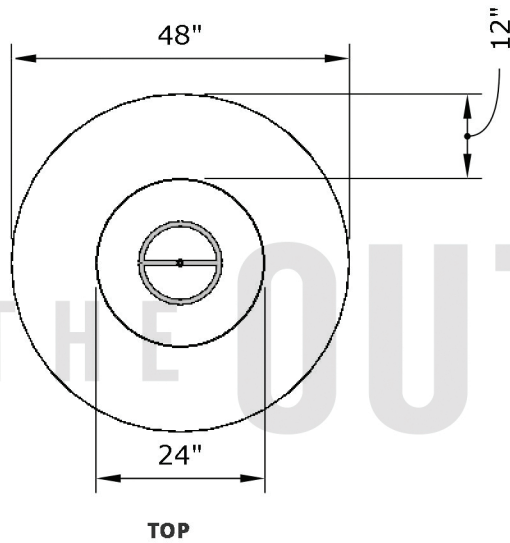


Replacement Part Numbers



Julius - 48" Fire Pit

Page Number	1 of 1
Author: Bryant Uribe	4/13/2018
Approved By: Gabriel Estrada	4/13/2018

Part Number	OPT-RS48, OPT-RS48EKIT
Material	Copper
Finishes	Copper/Patina Copper
Gas Type	Natural Gas (-NG) or Liquid Propane (-LP)
Weight	185 lbs.
BTUs	65,000
Suggested Fire Glass	50 lbs.
Access Door	N/A

ITEM NO.	REPLACEMENT PART NUMBER	QTY.
1	OPT-159	1
2	OPT-256	1

Proprietary & Confidential: The information contained in this drawing is the sole property of **The Outdoor Plus**. Any reproduction or as a whole without written permission of **The Outdoor Plus** is prohibited.